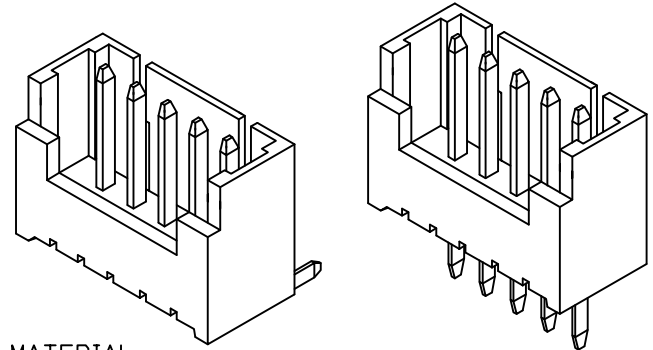
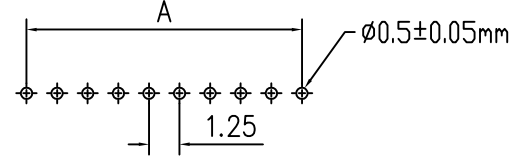
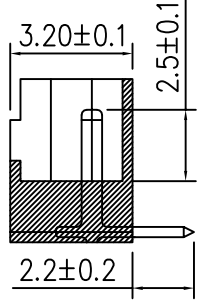


NO.OF PIN	DIM		
	C	B	A
2	4.25	3.05	1.25
3	5.50	4.30	2.50
4	6.75	5.55	3.75
5	8.00	6.80	5.00
6	9.25	8.05	6.25
7	10.50	9.30	7.50
8	11.75	10.55	8.75
9	13.00	11.80	10.00
10	14.25	13.05	11.25
11	15.50	14.30	12.50
12	16.75	15.55	13.75
13	18.00	16.80	15.00
14	19.25	18.05	16.25
15	20.50	19.30	17.50



MATERIAL:
 WAFER:HIGH TEMPERA TURE PLASTIC
 NYLON46 UL94V-0
 PIN:HIGH STRENGTH BRASS
 WITH TIN OVER NICKET PLATED

SPECIFICATION:
 CURRENT RATE:1AMP
 IUSULATION RESISTANCE:500M MIN
 CONTACT RESISTANCE:20M MAX
 DIELECTRIC VOLTAGE:500V AC FOR ONE MINUTE
 OPERATION TEMPERATURE:-25°C~+85°C



尚益科技有限公司
 JMSSCONN TECHNOLOGY CO., LTD.

PROJ		SCALE : F DO NOT SCALE DWG	MOLD NO	40109	
APP			MODEL	FILE NO	REV.
CHK			WITHOUT EAR	wire to board 1.25mm WAFER DIP 180°	X1
DGN			UNIT	SHT 1 OF 1	SIZE
DRW	HSIEH	2016.09.19	MM		A4