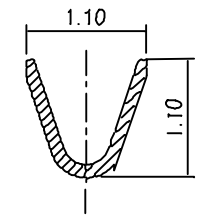
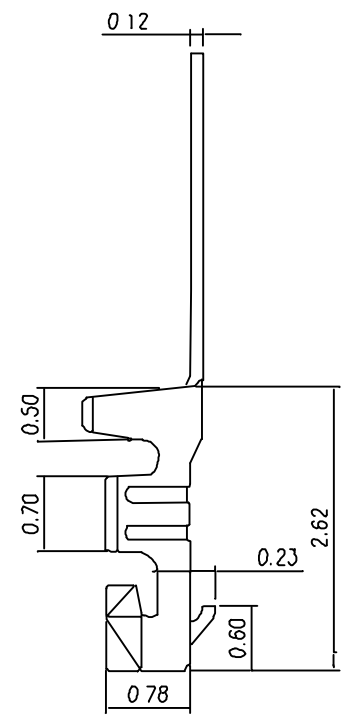
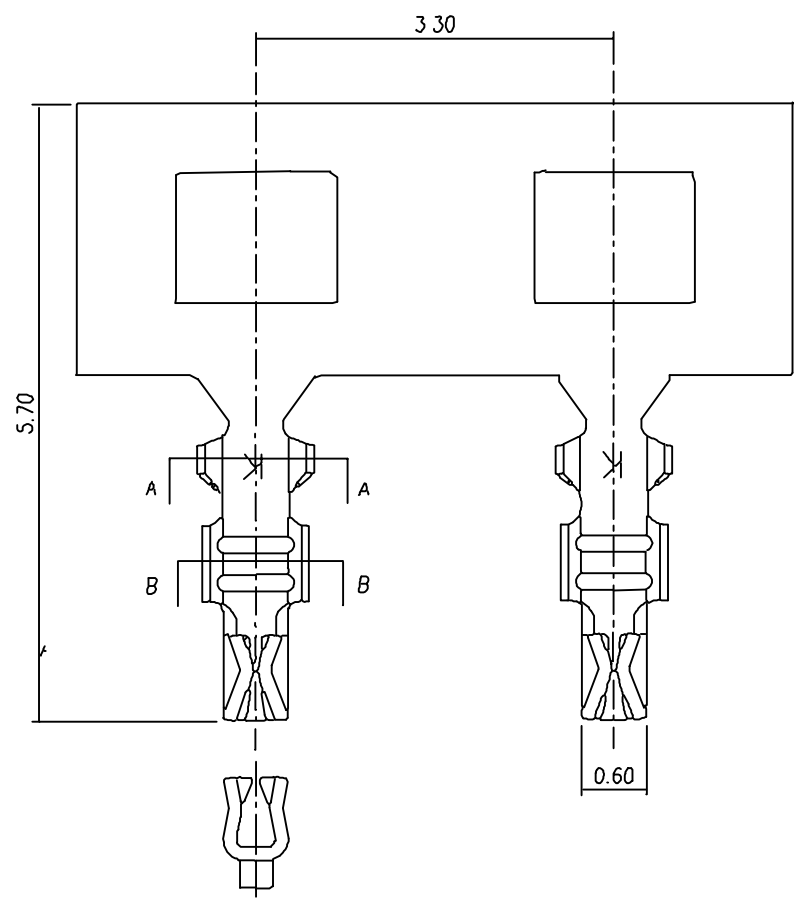
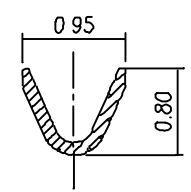


RoHS Compliant



SECTION A-A



SECTION B-B

Specifications & Order Information.

| P/N     | Thickness | Material        | Wire Range | Insulation O.D. |
|---------|-----------|-----------------|------------|-----------------|
| 40800-5 | 0.12mm    | Phosphor Bronze | AWG #32    | 0.60mm Max      |

| Finish      | Q'ty/Reel | Motes With (Housing) |
|-------------|-----------|----------------------|
| Gold Plated | 30,000pcs | 40800-3              |

尚益科技有限公司  
JMSCONN TECHNOLOGY CO., LTD.

|      |       |                               |                 |            |         |
|------|-------|-------------------------------|-----------------|------------|---------|
| PROJ |       | SCALE : F<br>DO NOT SCALE DWG | MOLD NO 40080-5 |            |         |
| APP  |       |                               | MODEL           | FILE NO    | REV. X1 |
| CHK  |       |                               |                 |            |         |
| DGN  |       |                               | UNIT            | SHT 1 OF 1 | SIZE A4 |
| DRW  | HSIEH | 2017.10.20                    | MM              |            |         |