

20088-S4X

鍍層厚度 :

Blank : 1u"
2 : 15u"
3 : 30u"



SPECIFICATIONS

Electrical:

1. Current Rating: 3.0A
2. Voltage Rating: 5.0V
3. Contact Resistance: 40 mΩ Max
4. Insulation Resistance: 100 MΩ Min

Mechanical:

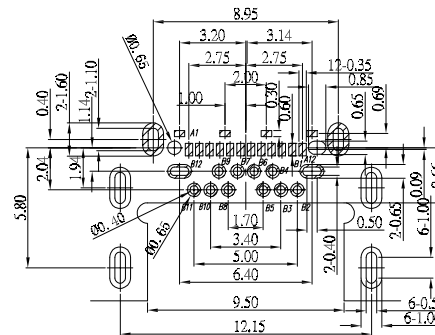
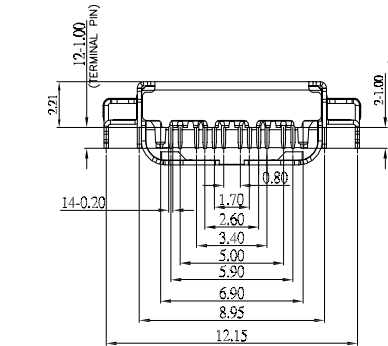
1. Connector Mate and Unmate Force
 - 1.1 Mate force: 5~20 N
 - 1.2 Unmate force: 8~20 N

Material:

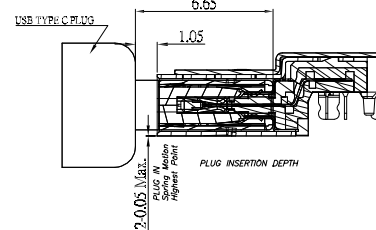
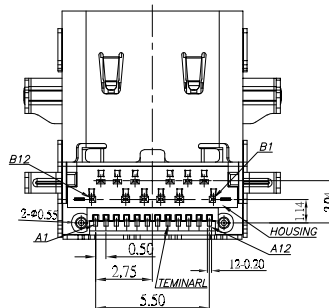
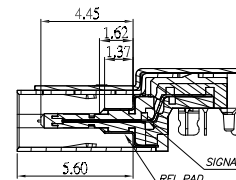
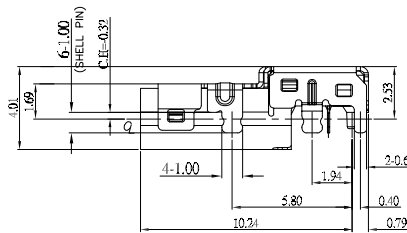
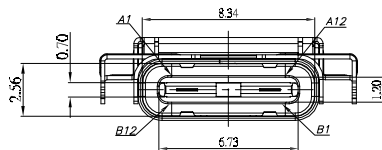
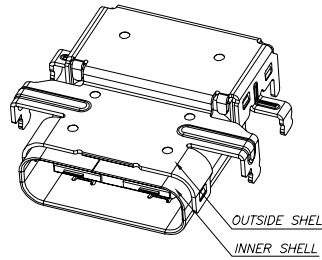
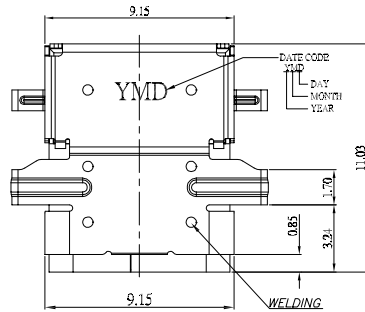
1. Housing: LCP, UL 94V-0, Black
2. Contact: Phosphor Bronze
3. Shell: SUS

Finish:

1. Contact: Plated Gold in Mating Area ;
Tin Plated on Solder Balls ;
Nickel under plated overall
2. Shell: Nickel under Plated surface layer



P.C.B LAYOUT MOUNTING PATTERN



尚益科技有限公司 JMSCONN TECHNOLOGY CO., LTD.					
PROJ		SCALE : F DO NOT SCALE DWG	MOLD NO 20088-S4		
APP			MODEL	FILE NO	REV. X1
CHK			UNIT	SHT 1 OF 1	SIZE A4
DGN			MM		
DRW	HSIEH	2016.11.10			