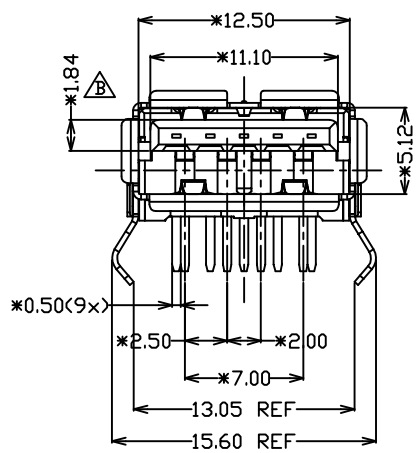
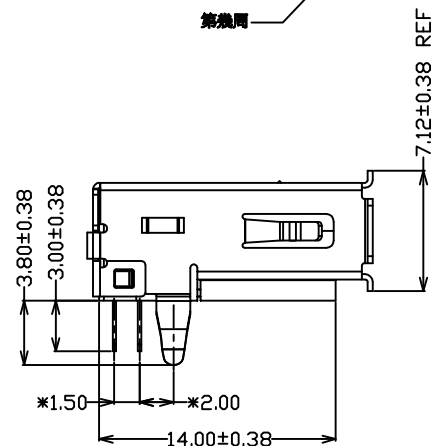
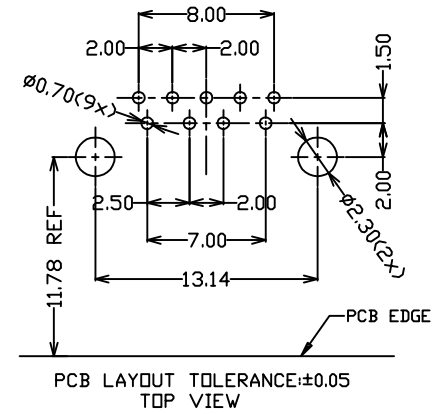
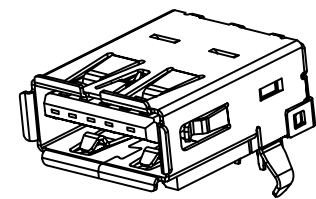
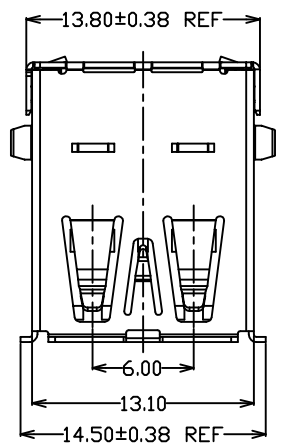
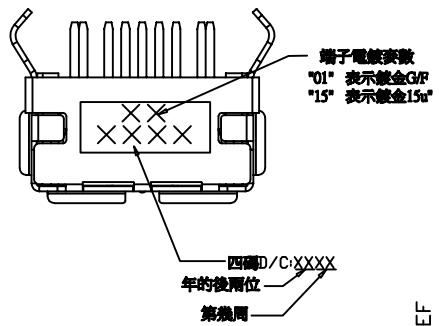


1 2 3 4 5 6 7

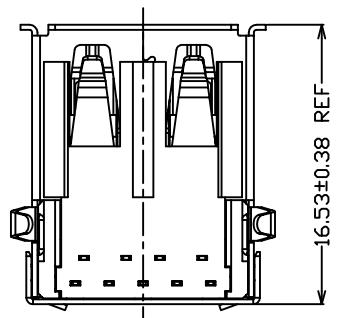
A
B
C
D
E

A
B
C
D
E



NOTE:
 1.MATERIAL:
 1.1 Insulator:PA9T+30%Glass
 Fiber(UL94V-0) BLUE(300C)
 1.2 Shell And Contact: Brass or phosphor bronze
 1.3 Contact Plating: GOLD PLATING ON CONTACT POINT,
 100u*MIN.TIN PLATING ON SOLDER TAILS,
 50u*MIN.NICKEL UNDERPLATING OVERALL.
 1.4 Shell:80u*Nickel plated over all
 2.SPECIFICATION:
 2.1 Current Rate:1.5Amp
 2.2 Insulator Resistance:100MΩ Min
 2.3 Dielectric Strength: 100V AC Per minute
 2.4 Contact Resistance: 30mΩ Max
 2.5 Operation Temperature:-55°C~+105°C
 2.6 Insertion Force: 3.57KG, Extraction Force: 1.02KG

*標示是重點管控尺寸



1 2 3 4 5 6 7

尚益科技有限公司 JMSCONN TECHNOLOGY CO.,LTD.				
PROJ	SCALE : F DO NOT SCALE DWG	MOLD NO 20003-T		
APP		MODEL	FILE NO	REV. X1
CHK				
DGN		UNIT	SHT 1 OF 1	SIZE A4
DRW	HSIEH	2016.11.16	MM	