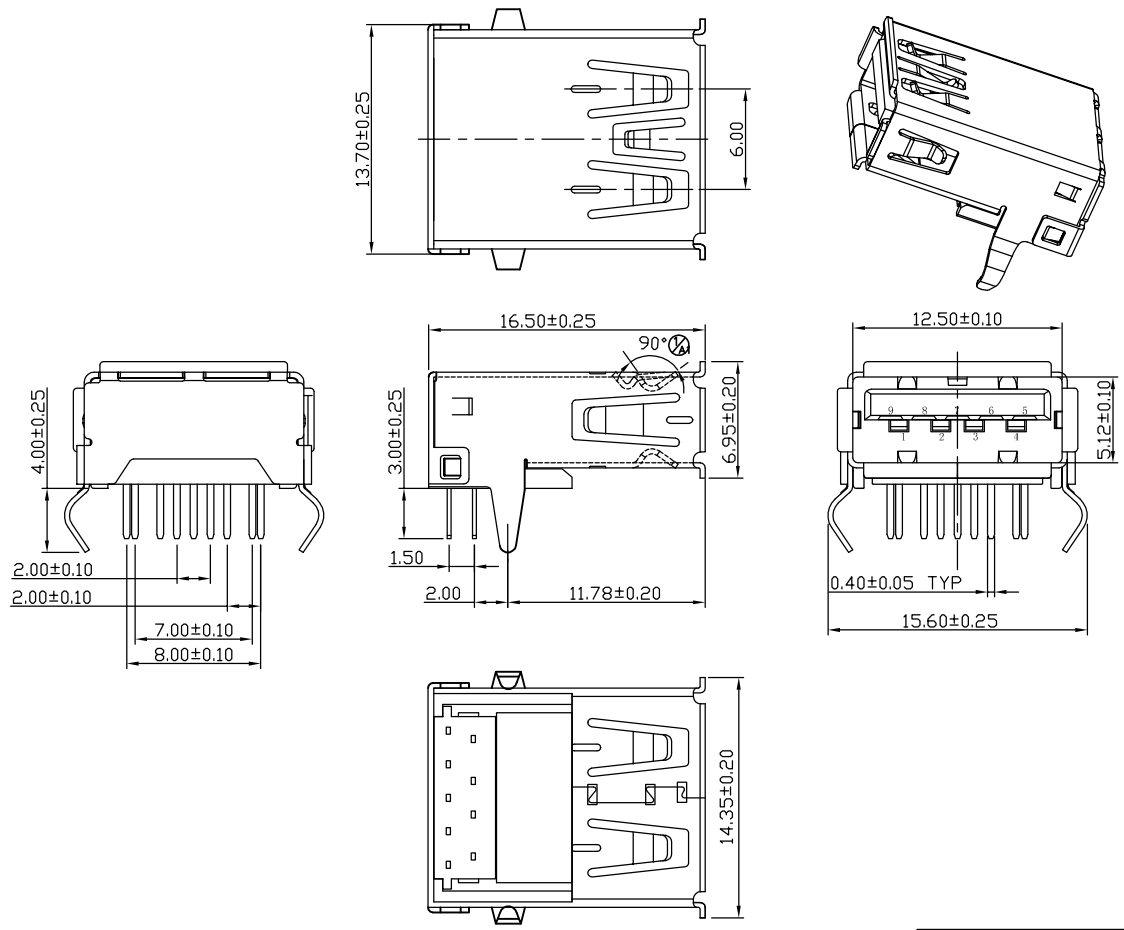


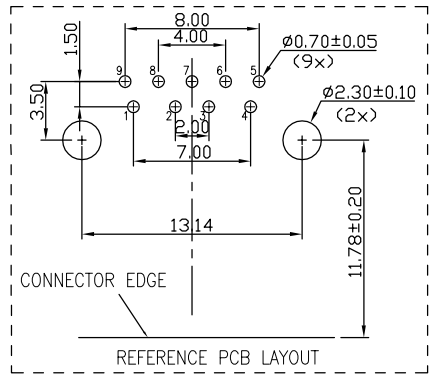
1 2 3 4 5 6 7

A
B
C
D
E

A
B
C
D
E



SPECIFICATIONS:
 Contact current Rating:
 1.8 Amperes for pin1&pin4.
 0.25 Amperes other contacts
 Dielectric Withstanding Voltage:AC 100V(RMS)
 Insulation resistance:100Megohms Minimum.
 Contact Resistance:
 30mΩ Max for pin1&pin4
 50mΩMax for other contacts
 Mechanical Characteristics:
 Mating Force:35 Newtons.Maximum
 Unmating Force:10 Newtons.Minimum.
MATERIAL: 8N Min After Durability
 Housing: PBT+30%GF 94V-0 COLOR:BLUE
 Contact: copper alloy(T=0.25mm)
 Shell: Brass
PLATING:
 Contact: Au Plated on contact area
 Tin Plated on solder area
 Nickel underplating over all
 Shell: Nickel Plated
 Operating Temperature:-55'to+85'



UNLESS OTHERWISE SPECIFIED, TOLERANCE ON DECIMAL: ±0.3

尚益科技有限公司
 JMSCONN TECHNOLOGY CO.LTD.

PROJ		SCALE : F DO NOT SCALE DWG	MOLD NO	20003-JT	
APP			MODEL	FILE NO	REV. X1
CHK			UNIT	SHT 1 OF 1	SIZE A4
DGN			MM		
DRW	HSIEH	2017.04.11			

1 2 3 4 5 6 7