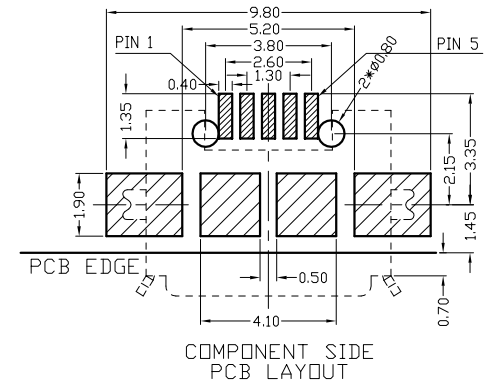
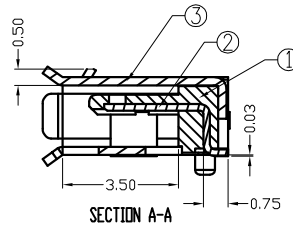
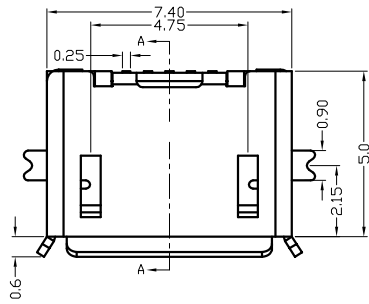


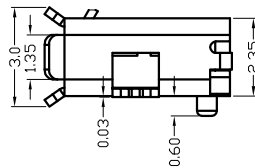
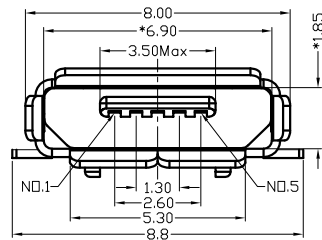
1 2 3 4 5 6 7

A

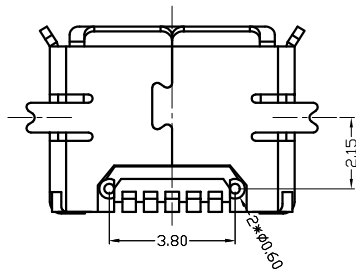


B

C



D



E

NO.	NAME	MATERIAL	FINISH	Q'TY	REMARK
1	HOUSING	LCP+GF30%	BLACK	1	
2	PIN TERM.	PHOSPHOR BRONZE T1.020	GOLD PLATED	5	Contact : Gold 30u' Other Area: Gold 1u'
3	SHELL	STAINLESS T0.25	NICKEL PLATED	1	№: 80~120u'

Specification:

- *Contact Resistance:
 - (1)30m Ohm Max. at 100mA
 - (2)10,000 Cycles After: 40m Ohm Max.at 100mA
- *Rated Voltage: AC 30V
- *Contact Current Rating:
 - (1)Signal Line: 1A/Pin (No. 1 to 5)
 - (2)2-Line For Power: 1.8A/Pin(No. 1 and 5),0.5A/Pin(No. 2 to 4)
- *Insulation Resistance: 100M Ohm Min. At 500V DC
- *Dielectric Withstanding Voltage: 100V AC for 1 Minute
- *Durability (Life Test): 10,000 Cycles
- *Insertion Force: 35 Newton Maximum
- *Extraction Force: 8 Newton Minimum.
- *Operating Temperature: -30° to +80°C
- *Solderability: 260°C +/-5°C;5 Sec



尚益科技有限公司
JMSSCONN TECHNOLOGY CO., LTD.

PROJ		SCALE : F DO NOT SCALE DWG	MOLD NO	20084-S2	
APP			MODEL	FILE NO	REV. X1
CHK	HSIEH	2011.02.09	UNIT	SHT 1 OF 1	SIZE A4
DGN	HSIEH	2011.02.09			
DRW	HSIEH	2011.02.09			

1 2 3 4 5 6 7