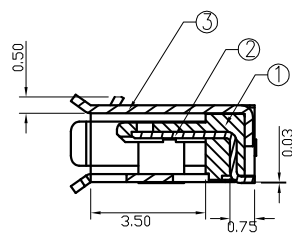
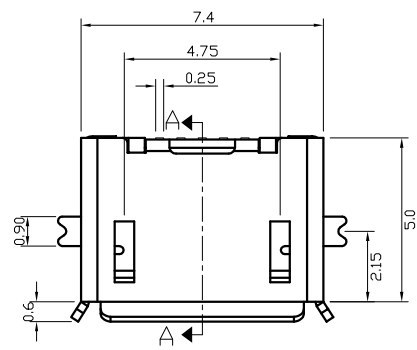
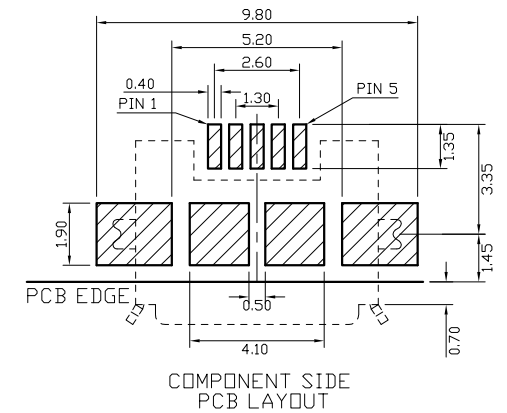


1 2 3 4 5 6 7

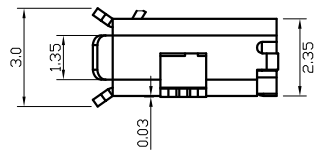
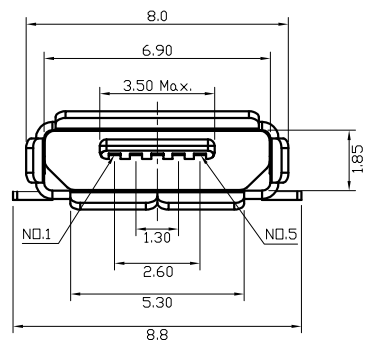
A  
B  
C  
D  
E



SECTION A-A



COMPONENT SIDE  
PCB LAYOUT



Specification:

- \*Contact Resistance: COMPONENT SIDE PCB LAYOUT
  - (1)30m Ohm Max. at 100mA
  - (2)10,000 Cycles After: 40m Ohm Max.at 100mA
- \*Rated Voltage: AC 30V
- \*Contact Current Rating:
  - (1)Signal Line: 1A/Pin (No. 1 to 5)
  - (2)2-Line For Power: 1.8A/Pin(No. 1 and 5),0.5A/Pin(No. 2 to 4)
- \*Insulation Resistance: 100M Ohm Min. At 500V DC
- \*Dielectric Withstanding Voltage: 100V AC for 1 Minute
- \*Durability (Life Test): 10,000 Cycles
- \*Insertion Force: 35 Newton Maximum
- \*Extraction Force: 8 Newton Minimum.
- \*Operating Temperature: -30° to +80°C



| NO. | NAME      | MATERIAL              | FINISH        | Q'TY | REMARK                                     |
|-----|-----------|-----------------------|---------------|------|--|
| 1   | HOUSING   | LCP+GF30%             | BLACK         | 1    |  |
| 2   | PIN TERM. | PHOSPHOR BRONZE T0.20 | GOLD PLATED   | 5    | Contact: Gold 30u'<br>Other Area: Gold 1u' |
| 3   | SHELL     | STAINLESS T0.25       | NICKEL PLATED | 1    | Ni: 80~120u'                               |

| 尚益科技有限公司<br>JMSSCONN TECHNOLOGY CO., LTD. |       |                               |            |            |            |
|---|-------|-------------------------------|------------|------------|------------|
| PROJ                                      |       | SCALE : F<br>DO NOT SCALE DWG | MOLD NO    | 20084-S1   |            |
| APP                                       |       |                               | MODEL      | FILE NO    | REV. X1    |
| CHK                                       | HSIEH | 2011.02.09                    | UNIT<br>MM | SHT 1 OF 1 | SIZE<br>A4 |
| DGN                                       | HSIEH | 2011.02.09                    |            |            |            |
| DRW                                       | HSIEH | 2011.02.09                    |            |            |            |

1 2 3 4 5 6 7