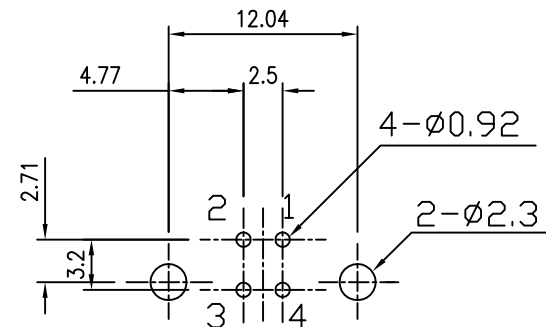
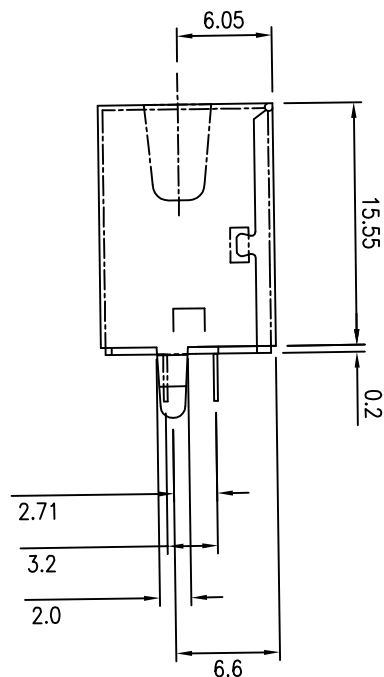
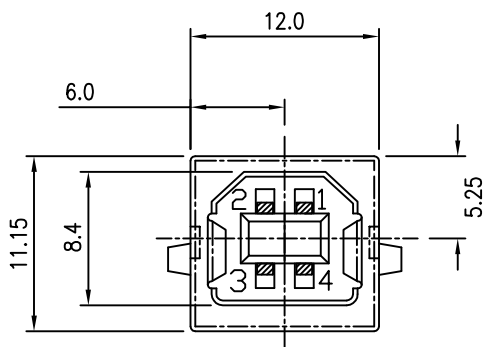
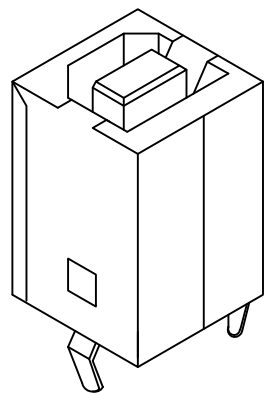
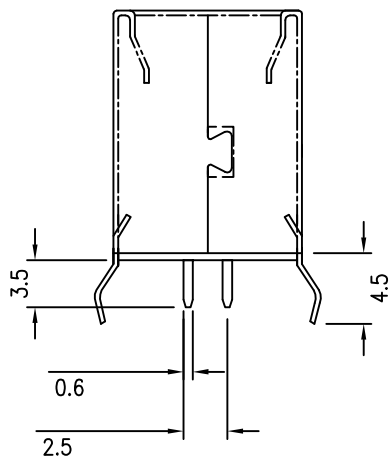


# USB B TYPE, FEMALE, DIP VERTICAL (THRU-HOLE)



(COMPONENT SIDE)  
PCB LAYOUT



NO.	NAME	MATERIAL	FINISH	REMARK	Q'TY
1	HOUSING	P.B.T. G.F.	WHITE		1
2	PIN TERM.	PHOS. BRONZE T:0.25	GOLD/TIN PLATED	Ni:1~1.5u ; TIN:3u. GOLD:1~3u*	4
3	SHELL	BRASS T:0.3	NICKEL PLATED	NI:2~3u	1
4	BOTTOM COVER	P.B.T. G.F.	WHITE		1

尚益科技有限公司  
JMSCONN TECHNOLOGY CO., LED.

PROJ		SCALE : F DO NOT SCALE DWG	MOLD NO 20072-X-02		
APP		92.04.16	MODEL	FILE NO	REV.
CHK	CCJ	91.10.21	SHIELD 180°	USB B TYPE DIP KINK	X1
DGN	AMY	91.10.21	UNIT	SHT 1 OF 1	SIZE
DRW	SHIEH	91.10.21	MM		A4

VERTICAL