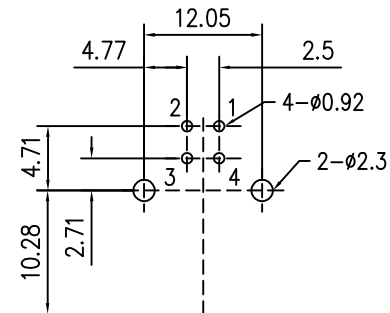
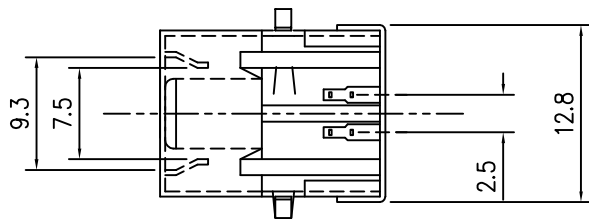
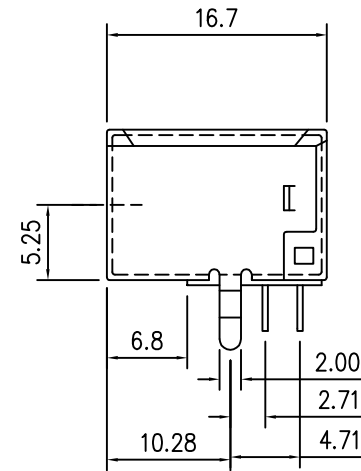
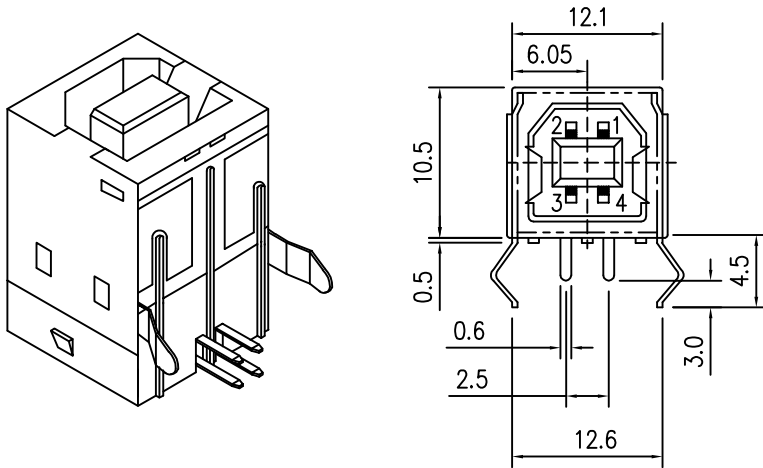


USB B TYPE, FEMALE, RIGHT ANGLE (THRU-HOLE)



PCB EDGE
(COMPONENT SIDE)
PCB LAYOUT

NO	NAME	MATERIAL	FINISH	REMARK	Q'TY
1	HOUSING	P.B.T	WHITE		1
2	PIN TERMINAL	PHOS BRASSt:0.25	GOLD/TIN PLATED	GOLD:1~3u' NI:1~1.5u' TIN:3u	4
3	SHELL	BRASS;t:0.3	NICKEL PLATED		1

尚益科技有限公司
JMSSCONN TECHNOLOGY CO., LED.

PROJ	SCALE	MOLD NO		
	: F DO NOT SCALE DWG	20070-X-02		
APP	92.04.16	MODEL	FILE NO	REV.
CHK	CCJ	90.08.20	USB TAPE B.	X1
DGN	AMY	90.08.20	UNIT	SIZE
DRW	SHIEH	90.08.20	MM	A4
			SHT 1 OF 1	