

1 2 3 4 5 6 7

A

B

C

D

E

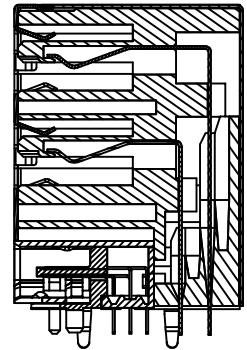
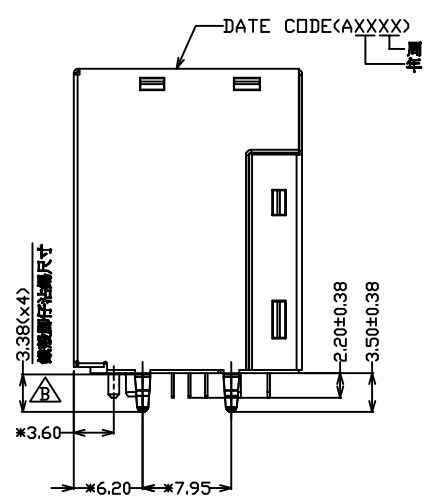
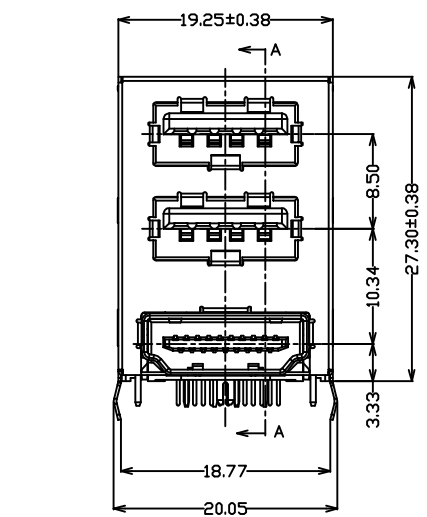
A

B

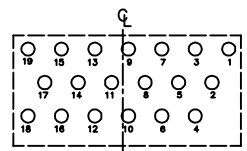
C

D

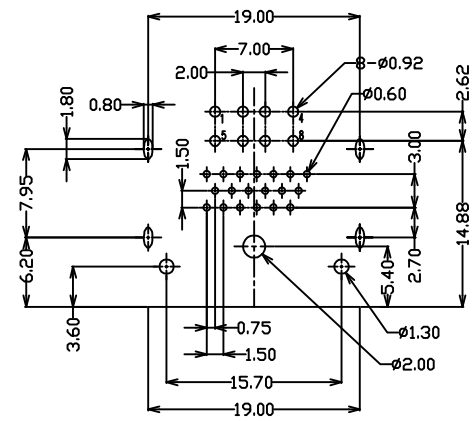
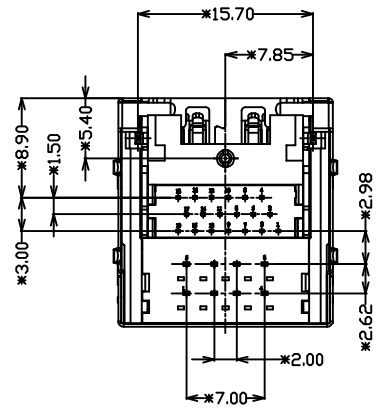
E



SECTION A-A



HDMI Pin Position



PCB LAYOUT (TOLERANCE ±0.05)
TOP VIEW

PART NO	USB端子電鍍規格	HDMI端子電鍍規格	鍍層材質/電鍍
20066-T2	半金1u"霧錫	半金1u" Au	SUS430鍍鍍(先鍍後沖)

- NOTES:
- MATERIALS:
 - 1.1 USB HOUSING: PBT,UL94V-0,COLOR: BLACK.
 - 1.2 HDMI HOUSING: LCP,UL94V-0,COLOR: BLACK.
 - 1.4 CONTACT: COPPER ALLOY
 - 1.5 USB SHELL: STAINLESS STEEL
 - 1.6 HDMI SHELL: COPPER ALLOY
 - PLATING:
 - 2.1 USB CONTACT: Half gold fog tin10U"MIN PLATED ON CONTACT AREA TIN 100U"MIN PLATED ON SOLDER TAIL AREA NICKEL 50U"MIN UNDERPLATING OVERALL.
 - 2.2 HDMI CONTACT: Au 1U"MIN PLATED ON CONTACT AREA TIN 100U"MIN PLATED ON SOLDER TAIL AREA NICKEL 50U"MIN UNDERPLATING OVERALL.
 - 2.3 HDMI SHELL: NICKEL 50U"MIN PLATED

- SPECIFICATIONS
- USB
 - 1.1 Operation Voltage: 250 VAC(RMS) Max.
 - 1.2 Current Rating: 1.5 Ampere per Contact
 - 1.3 Contact Resistance: 30 Milliohms Max.
 - 1.4 Insulation Resistance: 1000 Megohms Min.
 - 1.5 Dielectric Withstanding Voltage: 750 VAC(RMS)
 - 1.6 Total Mating Force: 3.57 Kgf Max.
 - 1.7 Total Unmating Force: 1.02 Kgf Min.
 - 1.8 Operating Temperature: -55°C to +85°C
 - HDMI
 - 2.1 Operation Voltage: 40 VAC(RMS) Max.
 - 2.2 Current Rating: 0.5 Ampere per Contact
 - 2.3 Contact Resistance: 30 Milliohms Max.
 - 2.4 Insulation Resistance: 100 Megohms Min.
 - 2.5 Dielectric Withstanding Voltage: 500 VAC(RMS)
 - 2.6 Total Mating Force: 4.5 Kgf Max.
 - 2.7 Total Unmating Force: 1.0 Kgf Min.
 - 2.8 Operating Temperature: -55°C to +85°C

DIMENSIONS TOLERANCE

METRIC
.0= ±.38
.00= ±.25
.000= ±.15
.0000= ±
ANG.= ± 2°

尚益科技有限公司 JMSCONN TECHNOLOGY CO., LED.				
PROJ	SCALE : F DO NOT SCALE DWG	MOLD NO 20066-T2		
APP		MODEL	FILE NO	REV. X1
CHK				
DGN		UNIT	SHT 1 OF 1	SIZE A4
DRW	HSIEH	2016.11.16	MM	

1 2 3 4 5 6 7