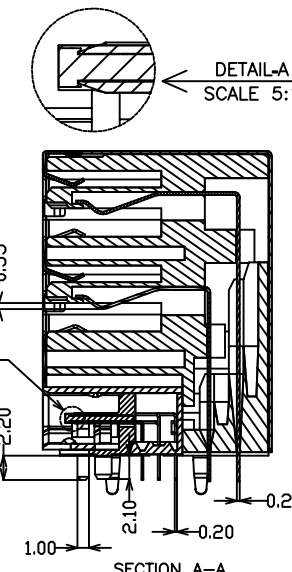
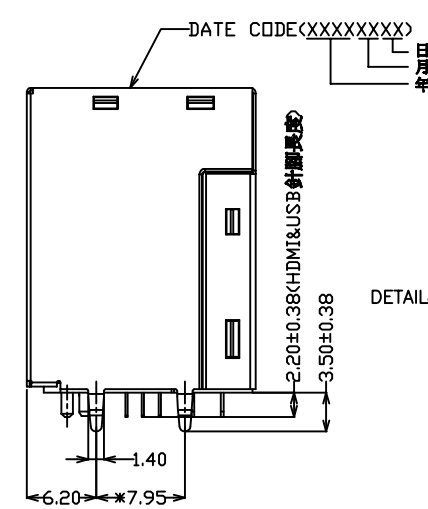
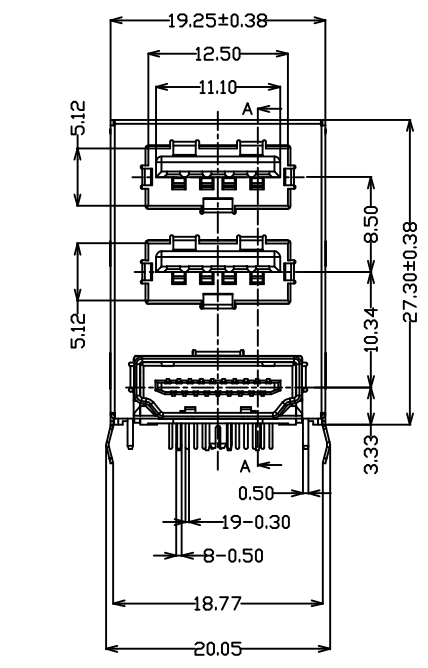


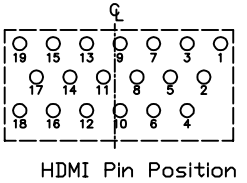
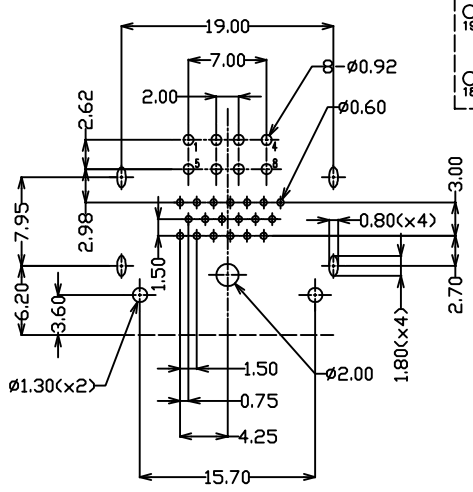
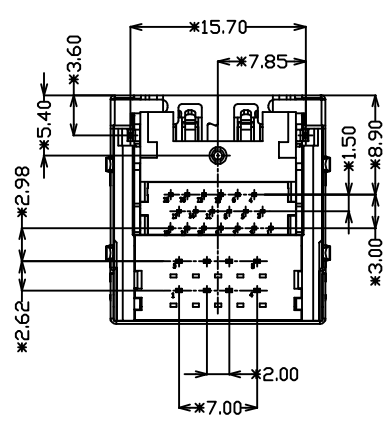
1 2 3 4 5 6 7

A
B
C
D
E



- NOTES:
- MATERIALS:
 - 1.1 USB HOUSING: PBT,UL94V-0,COLOR: BLACK.
 - 1.2 HDMI HOUSING: LCP,UL94V-0,COLOR: BLACK.
 - 1.4 CONTACT: COPPER ALLOY
 - 1.5 USB SHELL: STAINLESS STEEL
 - 1.6 HDMI SHELL: COPPER ALLOY
 - PLATING:
 - 2.1 USB CONTACT: Half gold fog tin10U"MIN PLATED ON CONTACT AREA TIN 100U"MIN PLATED ON SOLDER TAIL AREA NICKEL 50U"MIN UNDERPLATING OVERALL.
 - 2.2 HDMI CONTACT: Au 1U"MIN PLATED ON CONTACT AREA TIN 100U"MIN PLATED ON SOLDER TAIL AREA NICKEL 50U"MIN UNDERPLATING OVERALL.
 - 2.3 HDMI SHELL: NICKEL 50U"MIN PLATED
3. *'標示是量估管總尺寸

- SPECIFICATIONS
- USB
 - 1.1 Operation Voltage: 250 VAC(RMS) Max.
 - 1.2 Current Rating: 1.5 Ampere per Pontact
 - 1.3 Contact Resistance: 30 Milliohms Max.
 - 1.4 Insulation Resistance: 1000 Megohms Min.
 - 1.5 Dielectric Withstanding Voltage: 750 VAC(RMS)
 - 1.6 Total Mating Force: 3.57 Kgf Max.
 - 1.7 Total Unmating Force: 1.02 Kgf Min.
 - 1.8 Operating Temperature: -55°C to +85°C
 - HDMI
 - 2.1 Operation Voltage: 40 VAC(RMS) Max.
 - 2.2 Current Rating: 0.5 Ampere per Contact
 - 2.3 Contact Resistance: 30 Milliohms Max.
 - 2.4 Insulation Resistance: 100 Megohms Min.
 - 2.5 Dielectric Withstanding Voltage: 500 VAC(RMS)
 - 2.6 Total Mating Force: 4.5 Kgf Max.
 - 2.7 Total Unmating Force: 1.0 Kgf Min.
 - 2.8 Operating Temperature: -55°C to +85°C



20066-T1N2	15u" Au	15u" Au	SUS430鍍鍍 (先鍍後沖)
20066-T1N1	1u" Au	1u" Au	SUS430鍍鍍 (先鍍後沖)
PARY NO.	USB CONTACT	HDMI CONTACT	鍍鍍材質及電鍍規格

DIMENSIONS TOLERANCE

METRIC

0= ± .38
 .00= ± .25
 .000= ± .15
 .0000= ± .08
 ANG= ± 2°

尚益科技有限公司
 JMSCONN TECHNOLOGY CO., LED.

PROJ	SCALE : F DO NOT SCALE DWG	MOLD NO 20066-T1
APP		MODEL
CHK		FILE NO
DGN		REV. X1
DRW	HSIEH	UNIT MM
	2016.11.16	SHT 1 OF 1
		SIZE A4

1 2 3 4 5 6 7