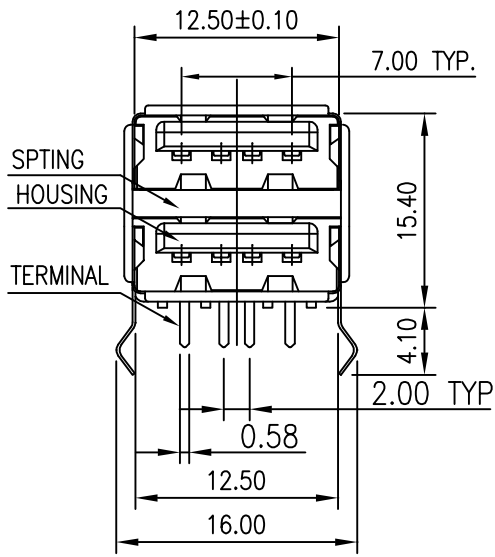
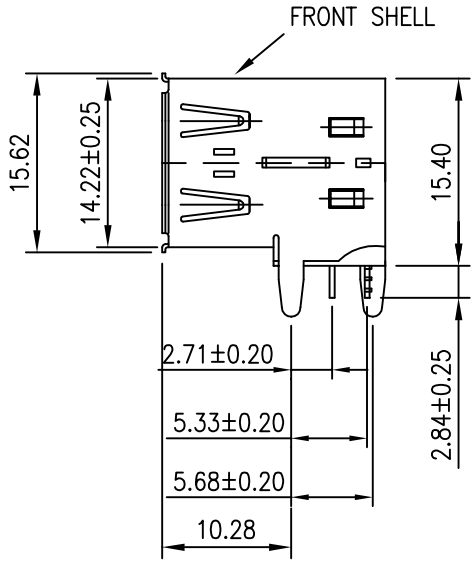


PC BOARD LAYOUT



Specification:
 Housing: PBT+Glass Fiber, UL94V-0
 Contact: Phosphor Bronze (0.25mm)
 Shell: Phosphor Bronze (0.3mm)
 Voltage Current Rating: 1A,30Vac
 Insulation Resistance: 1000MΩ Min.
 Contact Resistance: 30mΩ Max.
 Dielectric Withstanding Voltage:
 AC 500V for 1 minute
 Temperature Rating: -55°C to +105°C

尚益科技有限公司 JMSCONN TECHNOLOGY CO., LED.					
PROJ		SCALE : F DO NOT SCALE DWG	MOLD NO	20050-X-02	
APP			MODEL	FILE NO	REV. X1
CHK	CCJ	89.10.25	UNIT	SHT 1 OF 1	SIZE A4
DGN	WU	89.10.25			
DRW	SHIEH	89.10.25	MM		