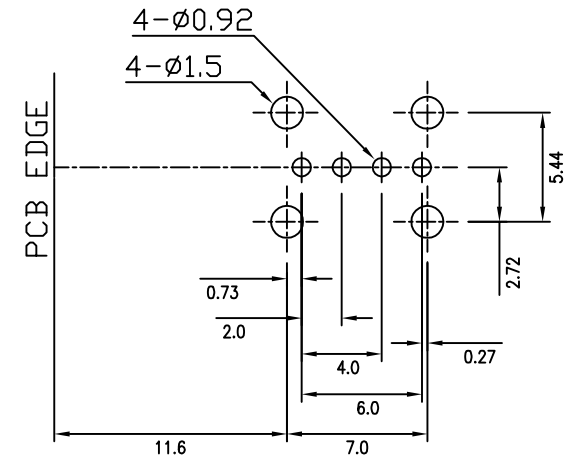
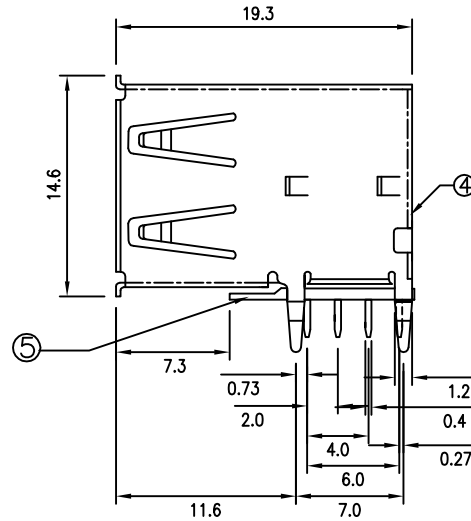
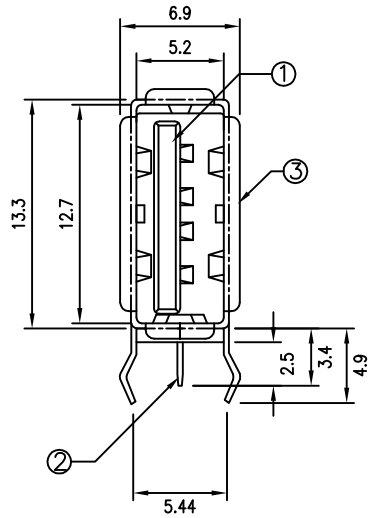
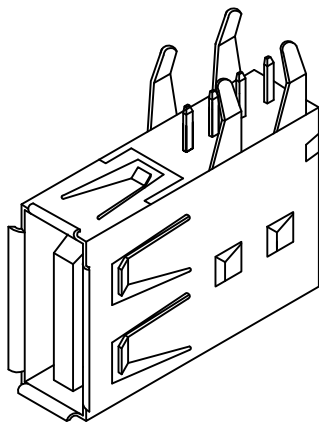


USB A TYPE, FEMALE, SINGLE DECK (RIGHT ANGLE)



PCB LAYOUT
(BOTTOM VIEW)



NO.	NAME	MATERIAL	FINISH	REMARK	Q'TY
1	HOUSING	P.B.T. G.F.	WHITE		1
2	PIN TERM.	PHOS. BRONZE T:0.25	GOLD/TIN PLATED	Ni:1~1.5u; TIN:3u. GOLD:1~3u	4
3	SHELL	BRASS T:0.3	TIN PLATED	TIN:3~5u	1
4	SHELL	SPCC T:0.3	NICKEL PLATED	Ni:2~3u	1
5	BOTTOM COVER	P.B.T. G.F.	WHITE		1

尚益科技有限公司 JMSCONN TECHNOLOGY CO., LED.					
PROJ		SCALE : F DO NOT SCALE DWG	MOLD NO	20020-X-02	
APP			MODEL	FILE NO	REV.
CHK	CCJ	90.09.21	USB A TYPE DIP UPRIGHT	SIDE 90°	X1
DGN	AMY	90.09.21	UNIT	SHT 1 OF 1	SIZE
DRW	SHIEH	90.09.21	MM		A4