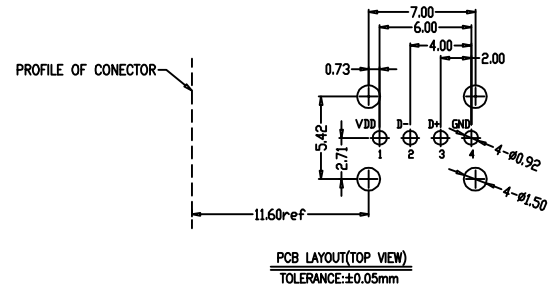
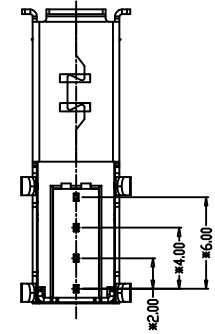
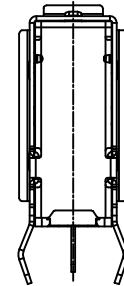
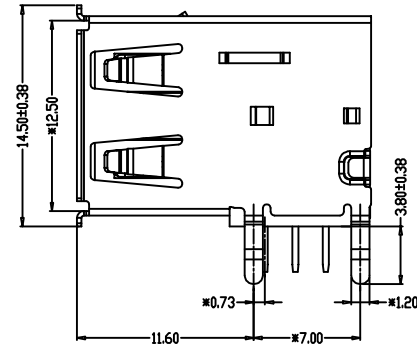
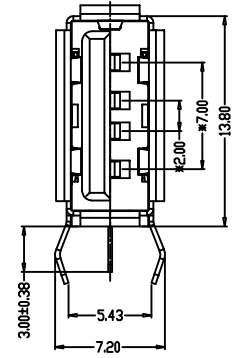
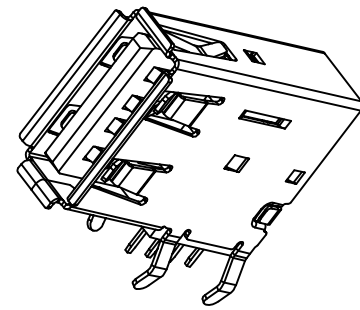
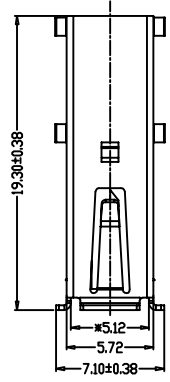


1 2 3 4 5 6 7

A
B
C
D
E

A
B
C
D
E



NOTES:

- Contact: Brass C2680, T=0.25mm
 - Contact Plated: Gold plated 15u" over Nickel on contact area
Tin(30u") plated over Nickel(50u") on solder tail
 - Shell: S50C T=0.30mm
 - Shell Plated: Nickel(50u") over copper
 - Insulation Material: PBT Color: BLUE(285C) Or Black
- SPECIFICATION:
- Contact Current Rating: 1 AMP. 30V AC
 - Insulation Resistance: 1000M ohm MIN. AT 250V DC
 - Dielectric withstanding Voltage: AC 500V(R.M.S)
 - Contact Resistance: 30 Mini OHM Max(intial)
 - RoHS compliant
 - ***標示是重點管控尺寸

PART No.	HOUSING COLOR	Contact Plating
20020-TL (其註明防靜電)	Blue(285C)	Gold(15u")/Tin Plated

DIMENSIONS TOLERANCE

METRIC
 .0= ±.38
 .00= ±.25
 .000= ±.15
 .0000= ±.1
 ANG.= ± 2°

尚益科技有限公司
JMSCONN TECHNOLOGY CO., LED.

PROJ	SCALE : F DO NOT SCALE DWG	MOLD NO 20020-TL
APP		MODEL
CHK		FILE NO
DGN		REV. X1
DRW	HSIEH 2016.11.16	UNIT MM
		SHT 1 OF 1
		SIZE A4

1 2 3 4 5 6 7