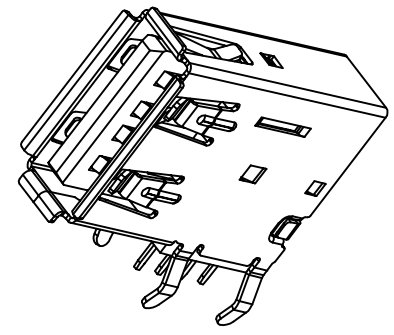
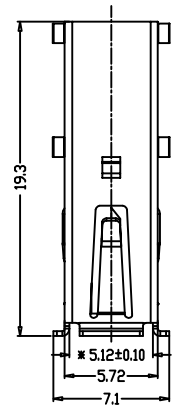


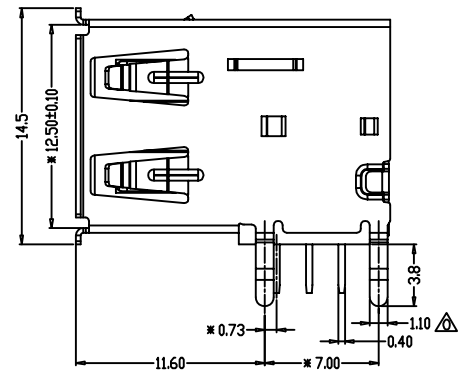
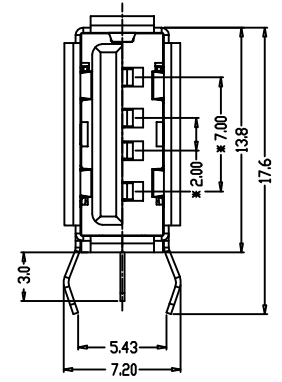
1 2 3 4 5 6 7

A



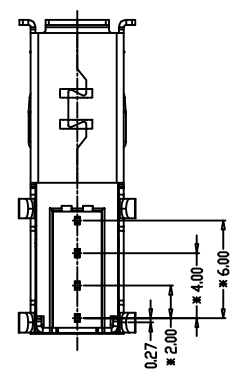
B

C

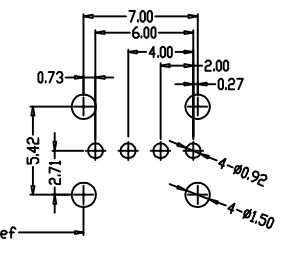


D

E



PROFILE OF CONECTOR



PCB LAYOUT(TOP VIEW)
TOLERANCE:±0.05mm

NOTES:

- 1.Contact:Brass C2680,T=0.25mm
 - 2.Contact Plated:Gold plated15u" over Nickel on contact area
Tin(30u") plated over Nickel(50u") on solder tail
 - 3.Shell:S50C T=0.30mm
 - 4.Shell Plated:Nickel(50u") over copper
 - 5.Insulation Material:PBT Color: BLUE(285C) Or Black
- SPECIFICATION:
- 1.Contact Current Rating: 1 AMP. 30V AC
 - 2.Insulation Resistance:1000M ohm MIN. AT 250V DC
 - 3.Dielectric withstanding Voltage:AC 500V(R.M.S)
 - 4.Contact Resistance: 30 Mini OHM Max(intial)
 5. RoHS compliant
 - 6.重點標示尺寸: **

PART No.	HOUSING COLOR	CONTACT
20020-T3DA	BLACK	Au(15u")/Tin
20020-T3DA	BLACK	Au(15u")/Tin
20020-T3SA	Blue(285C)	Au(15u")/Tin
20020-T1EF	WHITE	Au(15u")/Tin
20020-T1EG	WHITE	Au(1u")/Tin
20020-T3DA	BLACK	Au(30u")/Tin Plated
20020-T2SD	Blue(285C)	Palladium-Nickel(30u") Au(1u")/Tin Plated
20020-T2DA	BLACK	Au(1u")/Tin
20020-T2SA	Blue(285C)	Au(1u")/Tin
20020-T1EC	WHITE	Au(3u")/Tin
20020-T1EB	WHITE	前後鍍金1u", 端子半金1u"
20020-T1DA	BLACK	前後鍍金1u", 端子半金1u"

尚益科技有限公司
JMSCONN TECHNOLOGY CO., LTD.

PROJ	SCALE : F DO NOT SCALE DWG	MOLD NO 20020-T
APP		MODEL
CHK		FILE NO
DGN		UNIT
DRW	HSIEH	2016.11.16
		MM
		SHT 1 OF 1
		REV. X1
		SIZE A4

1 2 3 4 5 6 7