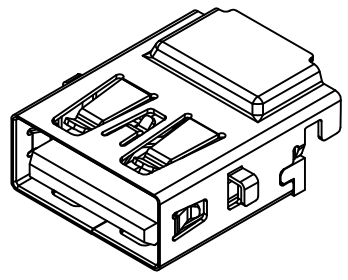
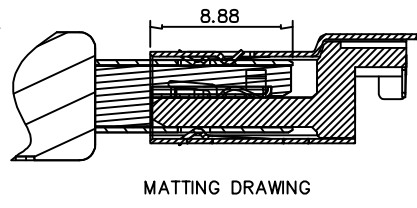
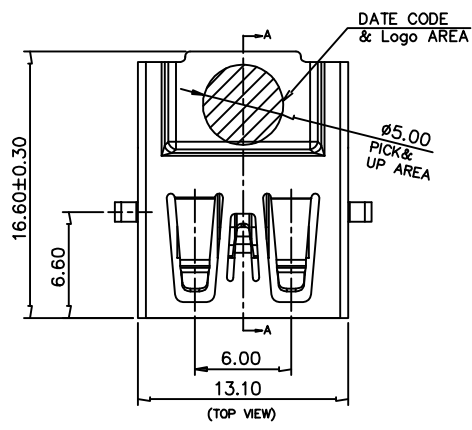


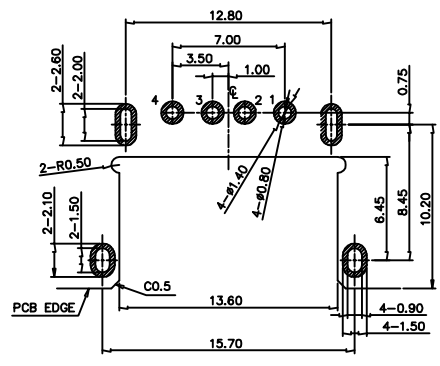
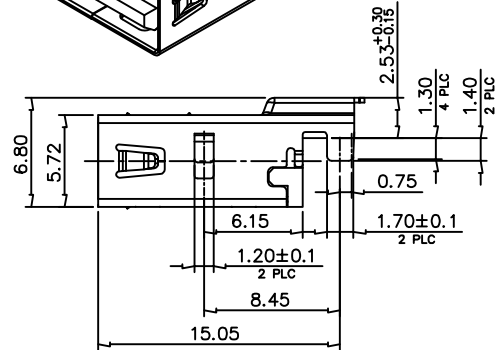
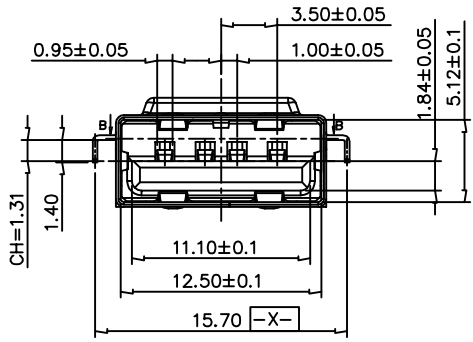
1 2 3 4 5 6 7

A  
B  
C  
D  
E

A  
B  
C  
D  
E

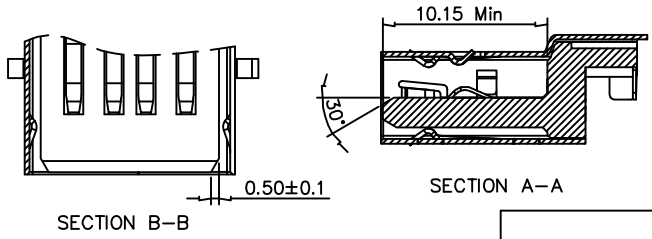
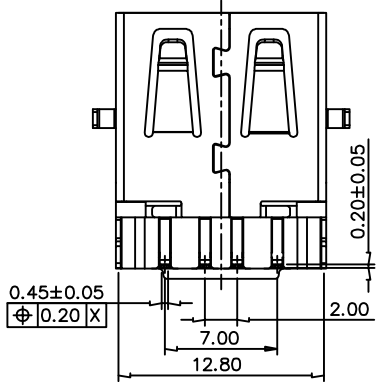


NOTES:  
 1.MATERIAL:  
 1-1 HOUSING: LCP, UL 94V-0, COLOR: BLACK  
 1-2 TERMINAL: COPPER ALLOY T=0.20±0.05  
 1-3 SHELL: STEEL ALLOY T=0.30±0.05  
 2.PLATING:  
 2-1 TERMINAL:  
 (SEE TABLE) GOLD PLATED ON CONTACT AREA  
 AND 2.03µm [80µ"] MIN. MATTE-TIN ON SOLDER TAIL,  
 WITH ENTIRE CONTACT UNDERPLATED 1.27µm [50µ"] MIN.NICKEL.  
 2-2 SHELL: 1.27µm [50µ"] MIN. NICKEL PLATED.



RECOMMENDED PCB LAYOUT(TOP VIEW)  
 (DEFAULT DIMENSION TOL=±0.03mm)  
 (THICKNESS=1.20±0.05mm)

DIMENSIONS  
 TOLERANCE  
 METRIC  
 .0= ±.38  
 .00= ±.25  
 .000= ±.15  
 .0000= ±.  
 ANG.= ± 2°



尚益科技有限公司 JMSCONN TECHNOLOGY CO.,LTD.				
PROJ	SCALE : F DO NOT SCALE DWG	MOLD NO 20016-T		
APP		MODEL	FILE NO	REV. X1
CHK		UNIT	SHT 1 OF 1	SIZE A4
DGN		MM		
DRW	HSIEH	2016.11.16		

1 2 3 4 5 6 7