

1 2 3 4 5 6 7

A

A

B

B

C

C

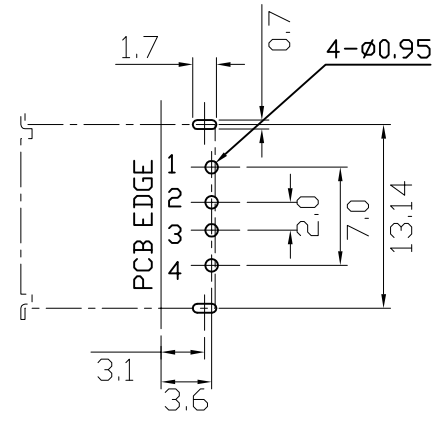
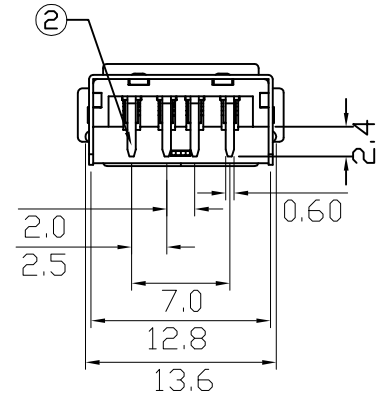
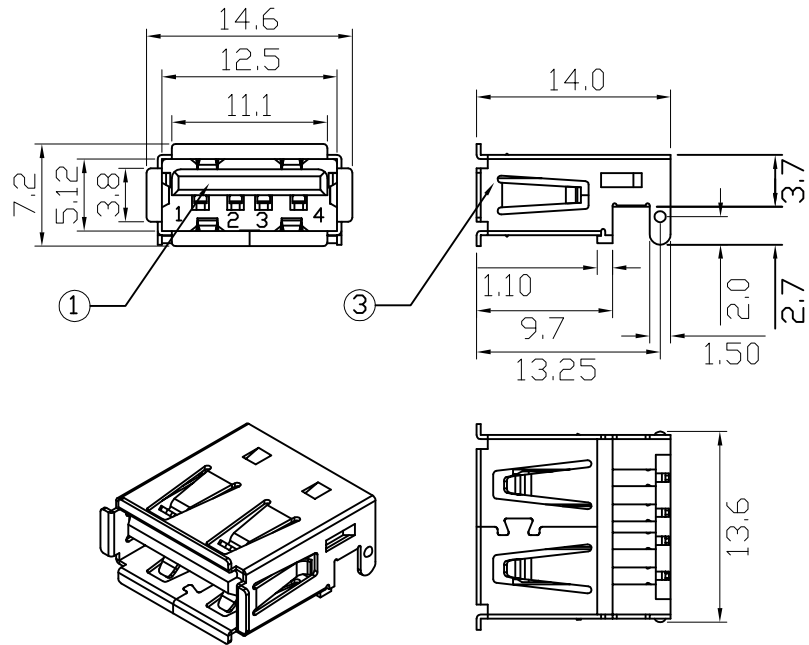
D

D

E

E

Specification:
 Contact Resistance: 30m Ohm Max.
 Insulation Resistance: 1000M Ohm Min. At 500VDC.
 Rated Voltage And Current: 1.5A At 250VAC Minimum.
 Dielectric Withstanding Voltage:750V AC (rms) for 1 Minute(Rev. 1.1)
 Durability (Life Test): 1500 Cycles
 Insertion Force: 35 Newton Maximum.
 Extraction Force: 10 Newton Minimum.



PCB LAYOUT
(COMPONENT SIDE)

Green Product

NO.	NAME	MATERIAL	FINISH	REMARK	QTY
1	HOUSING	PBT G.F.	BLACK		1
2	PIN TERM.	PHQS. BRONZE T:0.25	GOLD/TIN PLATED	Gold:1~3u" ; NI:40~60u" ; TIN:120u" (100% pure Tin of lead free plating)	4
3	SHELL	BRASS T:0.3	NICKEL PLATED	NI:80~120u"	1

尚益科技有限公司 JMSCONN TECHNOLOGY CO.LTD.					
PROJ		SCALE : F DO NOT SCALE DWG	MOLD NO	20015-X-02	
APP			MODEL	FILE NO	REV. X1
CHK			UNIT	SHT 1 OF 1	SIZE A4
DGN			MM		
DRW	HSIEH	2012.12.13			

1 2 3 4 5 6 7