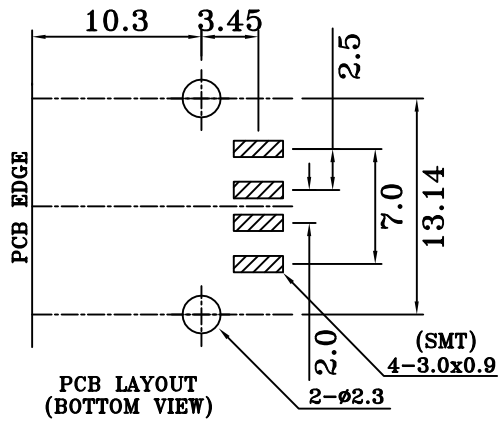
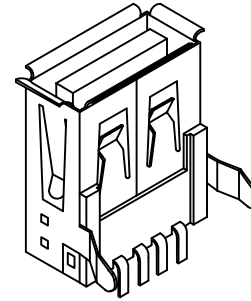
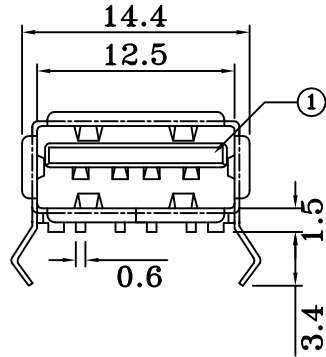
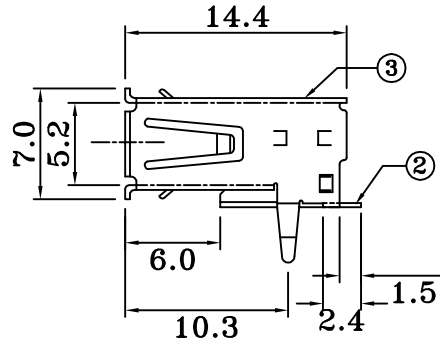

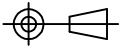


# USB A TYPE,FEMALE,SINGLE DECK(SMT TYPE)



NO.	NAME	MATERIAL	FINISH	REMARK	Q'TY
1	HOUSING	NYLON PA9T G.F.	WHITE		1
2	PIN TERM.	PHOS. BRONZE T:0.25	GOLD-TIN PLATED	NI:1~1.5u;TIN:3u. GOLD:1~3u	4
3	SHELL	BRASS T:0.3	NICKEL PLATED	NI:2~3u	1

 尚益科技 尚益科技有限公司 JMSCONN TECHNOLOGY CO.,LTD.					
PROJ		SCALE : F DO NOT SCALE DWG	MOLD NO 20011-X-02		
APP	JMS	92.04.15	MODEL	FILE NO	REV. X1
CHK	CCJ	89.10.25			
DGN	WU	89.10.25	UNIT MM	SHT 1 OF 1	SIZE A4
DRW	SHIEH	89.10.25			