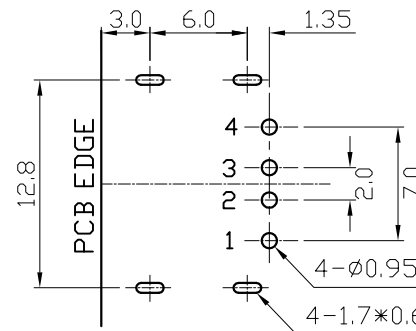
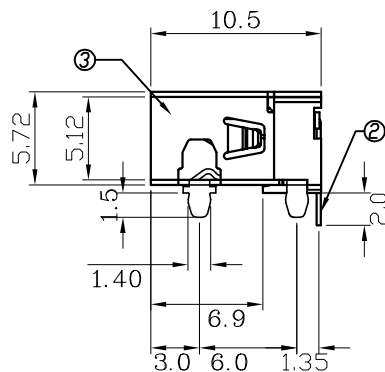
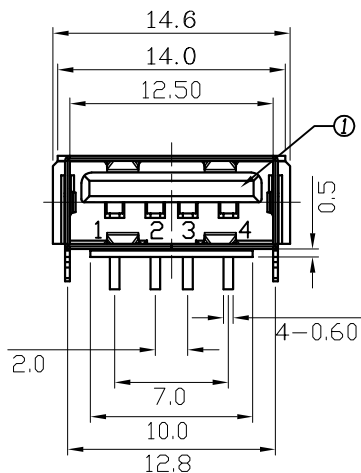
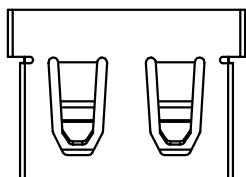


Green Product

PACKING STYLE: TRAY

Specification:
 Contact Resistance: 30m Ohm Max.
 Insulation Resistance: 1000M Ohm Min. At 500VDC.
 Rated Voltage And Current: 1.5A At 250VAC Minimum.
 Dielectric Withstanding Voltage:
 750V AC (rms) for 1 Minute(Rev. 1.1)
 Durability (Life Test): 1500 Cycles.
 Insertion Force: 35 Newton Maximum.
 Extraction Force: 10 Newton Minimum.



PCB LAYOUT (BOTTOM VIEW)

NO.	NAME	MATERIAL	FINISH	Q'TY	REMARK
1	HOUSING	PBT G.F.	BLACK	1	
2	TERMINAL	PHOS. BRONZE T:0.25	GOLD/TIN PLATED	4	Gold:1~3u', NI:40~60u', TIN:120u' (100% pure Tin of lead free plating)
3	SHELL	BRASS T:0.3	NICKEL PLATED	1	NI:50u' MINIMUM.

尚益科技有限公司 JMSSCONN TECHNOLOGY CO., LTD.					
PROJ		SCALE : F DO NOT SCALE DWG	MOLD NO	20006-B	
APP			MODEL	FILE NO	REV. X1
CHK			UNIT	SHT 1 OF 1	SIZE A4
DGN			MM		
DRW	HSIEH	2014.07.11			