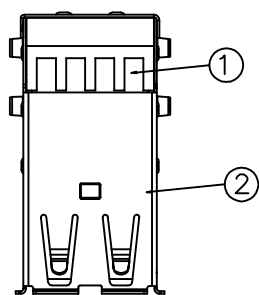


1 2 3 4 5 6 7

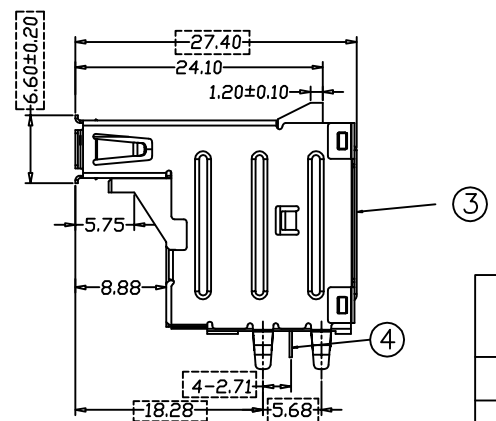
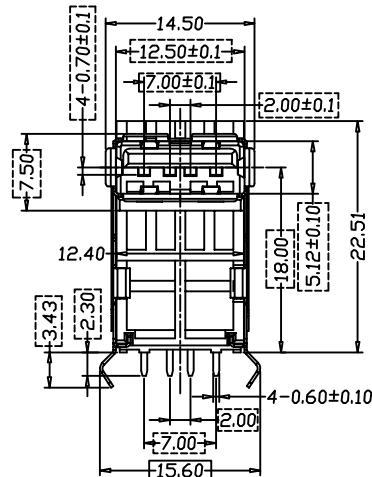
A



Part No.	PLATING
20005-TPA1	GOLD FLASH/TIN PLATED
20005-TPA2	GOLD 30u"MIN/TIN PLATED

NOTES:
 1.SPECIFICATION MEET USB STANDARD SPECIFICATION.
 2.ELECTRICAL CHARACTERISTICS;
 2-1.CONTACT CURRENT RATING : 1.5 AMPERE.
 2-2.CONTACT RESISTANCE : 30 MILLIOHMS MAX.
 2-3.DIELECTRIC WITHSTANDING VOLTAGE : 500 VAC MIN.
 2-4.INSULATION RESISTANCE : 1000 MEGOHMS MIN
 3.MECHANICAL CHARACTERISTICS;
 3-1.CONNECTOR ENGAGEMENT FORCE : 35 N(3.5kgf)MAX
 3-2.CONNECTOR SEPARATION FORCE : 10~35 N(1.0~3.5kgf)
 3-3.DURABILITY : 1500 CYCLES.
 3-4.OPERATING TEMPERATURE : -50°C TO +85°C
 4.RECOMMENDED P.C.B THICKNESS : 1.57±0.05
 5.RECOMMENDED PROCESS:WAVE SOLDER,PEAK TEMP 255',3~5 SEC
 6.重點尺寸為: [X X]

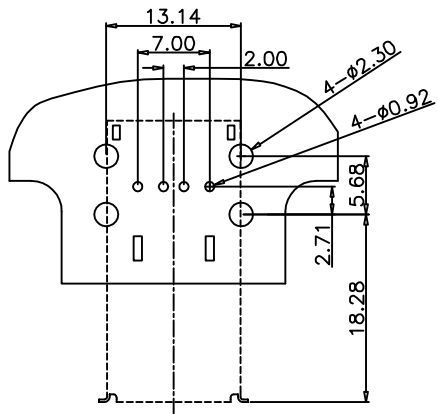
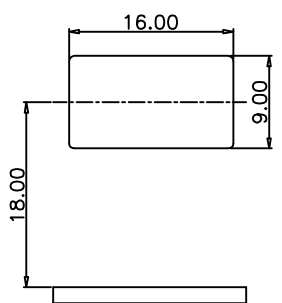
B



ITEM	DESC	QT'Y	MATERIAL	TERATMENT
4	CONTACT	4	COPPER ALLOY	Au 30u"OR GOLD FLASH MIN.PLATED AT CONTACT AREA TIN ALLOY(LEAD RREE) AT TERMINATIONINCKE UNDERPLATING ALL.
3	REAR SHELL	1	SUS	NO PLATED
2	OUT SHELL	1	SUS	TIN ALLOY(LEAD RREE) AT TERMINATION
1	HOUSING	1	LCP UL 94-V0	MOLDED BLACK

C

D



RECOMMENDED PCB LAYOUT
 DIMENSION TOLERANCE: ±0.05
 PCB THICKNESS:1.570mm

DIMENSIONS TOLERANCE
 METRIC
 .0=±0.38
 .00=±0.25
 .000=
 ANG.=±5'

尚益科技有限公司
 JMSCONN TECHNOLOGY CO., LTD.

PROJ	SCALE : F DO NOT SCALE DWG	MOLD NO 20005-T
APP		MODEL
CHK		FILE NO iron head
DGN		REV. X1
DRW	HSIEH	2012.06.30
	UNIT MM	SHT 1 OF 1
		SIZE A4

1 2 3 4 5 6 7

A

B

C

D

E