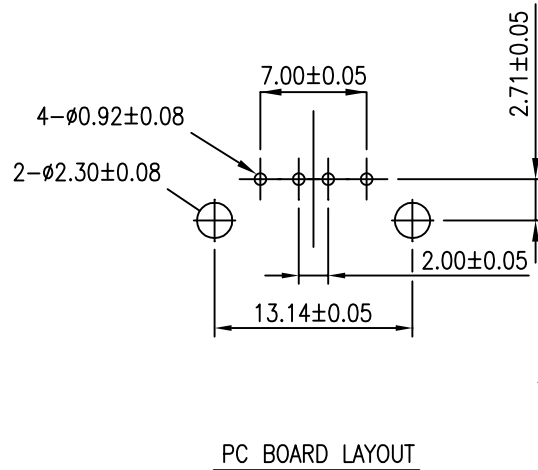
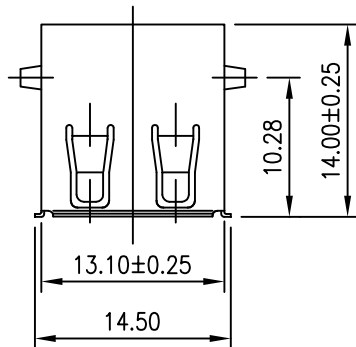
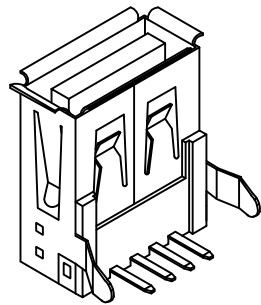


# USB A TYPE, FEMALE SINGLE DECK (RIGHT ANGLE, THRU-HOLE)



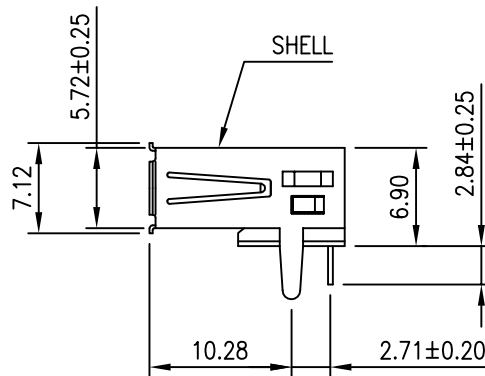
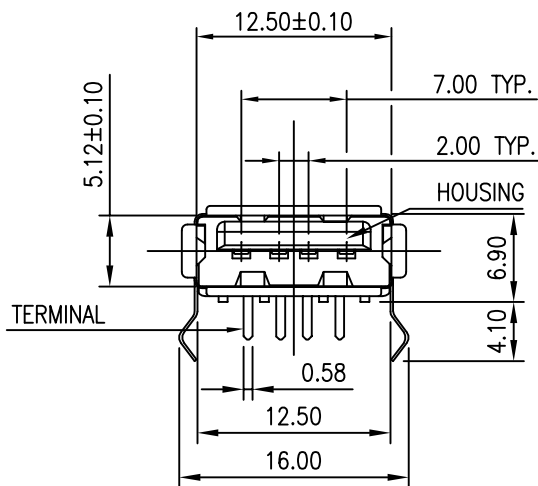
## ORDER INFORMATION

20001-X

1: WHITE  
2: BLACK

## Specification:

Housing: PBT+Glass Fiber, UL94V-0  
 Contact: Phosphor Bronze (0.25mm)  
 Shell: Phosphor Bronze (0.3mm)  
 Voltage Current Rating: 1A, 30Vac  
 Insulation Resistance: 1000MΩ Min.  
 Contact Resistance: 30mΩ Max.  
 Dielectric Withstanding Voltage:  
 AC 500V for 1 minute  
 Temperature Rating: -55°C to +105°C



尚益科技 JMCONN TECHNOLOGY CO., LTD.					
PROJ		SCALE : F DO NOT SCALE DWG	MOLD NO 20001-X-02		
APP	JMS	92.04.15	MODEL	FILE NO	REV. X1
CHK	CCJ	89.10.25			
DGN	WU	89.10.25	UNIT MM	SHT 1 OF 1	SIZE A4
DRW	SHIEH	89.10.25			