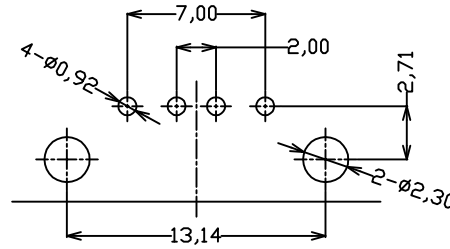
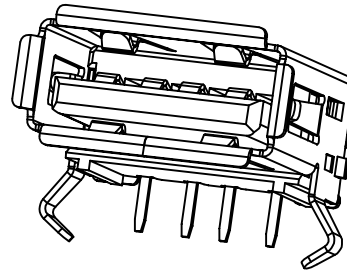
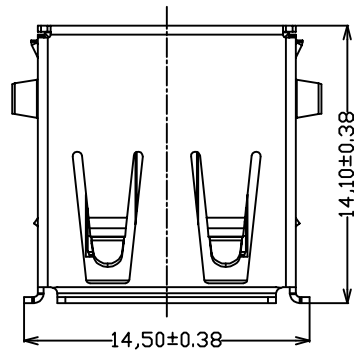


1 2 3 4 5 6 7

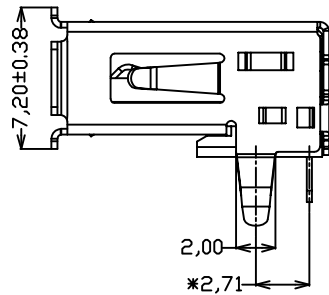
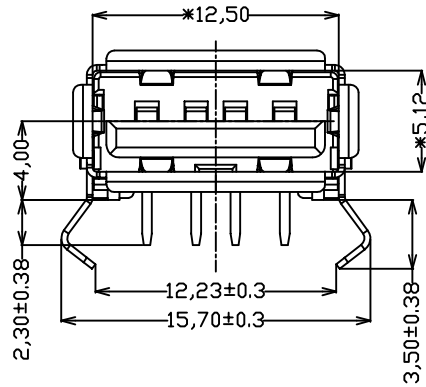
A



P.C.B LAYOUT (TOLERANCE ±0.05)
TOP VIEW

B

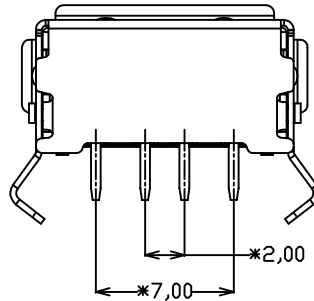
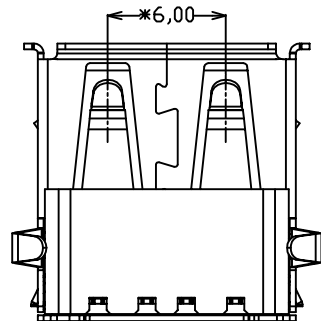
C



Plat No.	CONTACT PLATING	MATERIAL
20001-TL	GOLD(15μ)/TIN PLATED	PBT 藍色285C

NOTES:
MATERIAL:
1.CONTACT: BRASS C2680 T=0.25mm
2.CONTACT PLATED: GOLD PLATED OVER NICKEL ON CONTACT AREA
TIN PLATED OVER NICKEL ON SOLDER TAIL.
3.SHELL: Brass T=0.30mm
4.SHELL PLATED: NICKEL OVER COPPER
SPECIFICATION:
1.CONTACT CURRENT RATING: 1AMP. 30V AC
2.INSULATION RESISTANCE:1000M ohm MIN. AT 250V DC
3.DIELECTRIC WITHSTANDING VOLTAGE: AC 500V(R.M.S)/1 MINUTE
4.CONTACT RESISTANCE: 30 Mini OHM Max(initial)
RoHS compliant

D



**標示是重點管控尺寸

DIMENSIONS TOLERANCE

METRIC
.0= ±.38
.00= ±.25
.000= ±.15
.0000= ±.1
ANG.= ± 2°

E

尚益科技有限公司 JMCONN TECHNOLOGY CO., LED.				
PROJ		SCALE : F DO NOT SCALE DWG	MOLD NO	20001-TL
APP			MODEL	FILE NO
CHK				REV. X1
DGN			UNIT	SIZE A4
DRW	HSIEH	2016.11.16	MM	SHT 1 OF 1

1 2 3 4 5 6 7