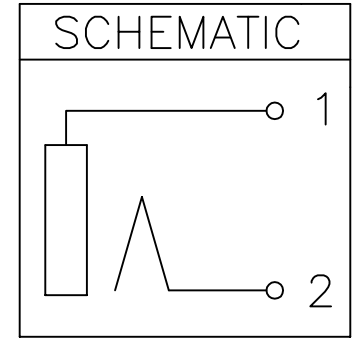
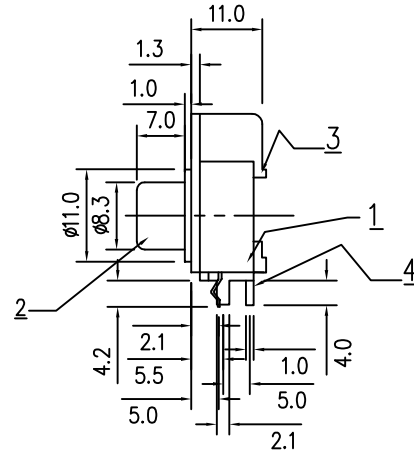
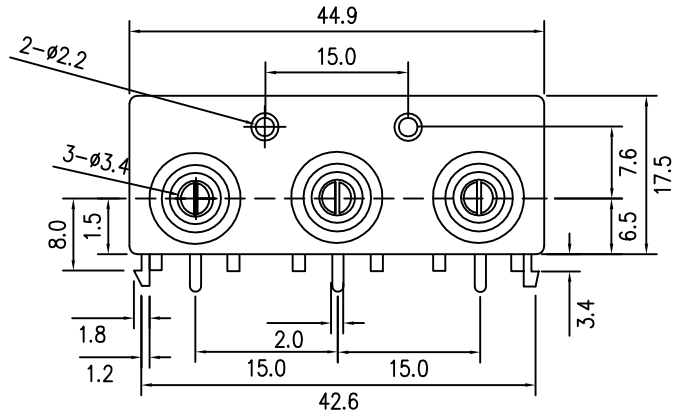


1 2 3 4 5 6 7

A

A



B

B

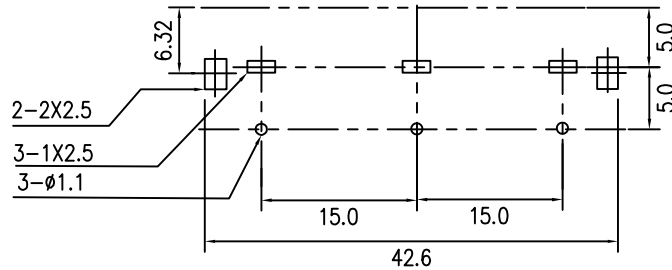
C

C

NO.	NAME	MATERIAL	FINISH	Q'TY
1	ASSEM.HOUSING	ABS	BLACK	1
2	BARREL	BRASS 0.4THK	NICKEL PLATED	3
3	JACK HOUSING	P.B.T	Y.W.R	3
4	CONTACT TERM	BRASS 0.5THK	TIN PLATED	3

D

D



PCB LAYOUT  
(BOTTOM VIEW)

E

E

尚益科技有限公司  
JMSSCONN TECHNOLOGY CO., LED.

PROJ		SCALE : F DO NOT SCALE DWG	MOLD NO 87300		
APP	AMY	91.11.25	MODEL 6 PIN	FILE NO RCA JACK 3 PORT	REV. X1
CHK	CCJ	90.06.07	UNIT MM	SHT 1 OF 1	SIZE A4
DGN	WU	90.06.07			
DRW	SHIEH	90.06.07			

1 2 3 4 5 6 7