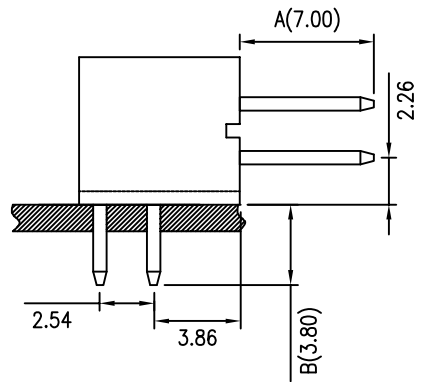
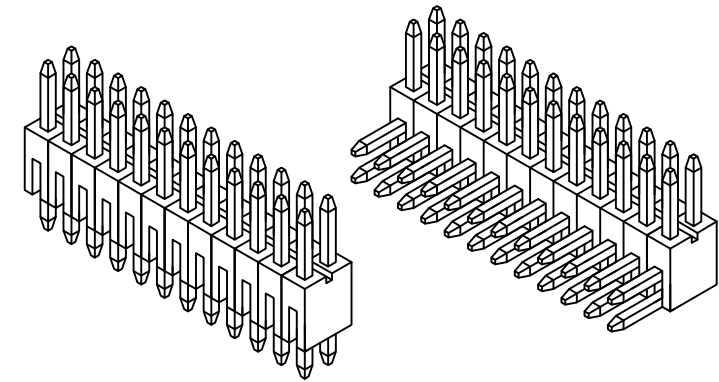
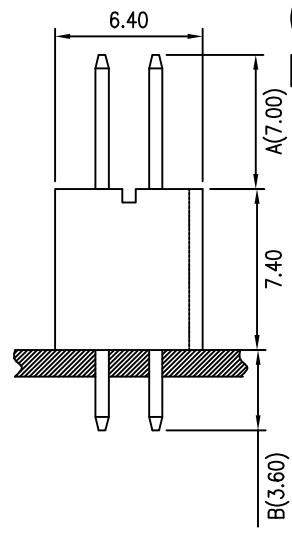
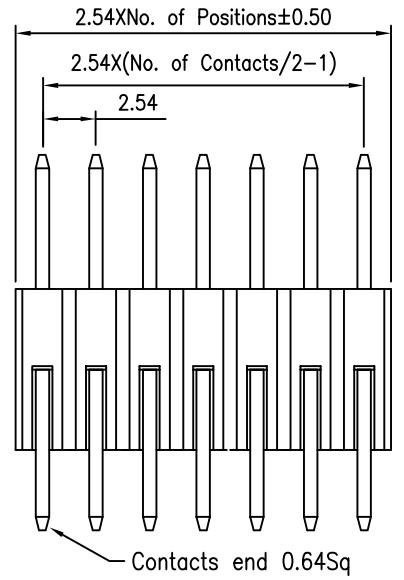
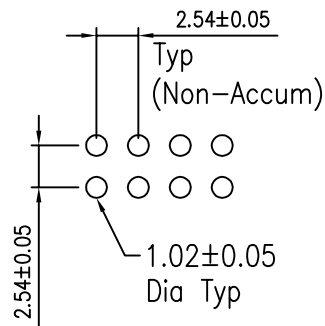


0.1"X0.1"(2.54mm X 2.54mm) Pin Header  
 Dual Row 06 to 80 Contacts 7.4mm Base



Specifications  
 Current Rating: 3 AMP  
 Insulator Resistance: 5000MΩ Min  
 Dielectriv Withstanding: 500V AC  
 Contact Material:Copper Alloy  
 Operating Temperature: -40°C to +105°C  
 Insulator Material: Polyester (UL94V-0)  
 ◎Standard:P.B.T

Recommended P.C.Board Hole Layout



FINISH:Gold Plated  
 Standard:Gold Flash all over

11101 -X -XXX -X -A/B		
<b>Pin Type</b>	<b>Code</b>	
Pin Material	L	
Brass	B	
Bronze	P	
Phosphor Bronze		
◎Standard:L		
<b>Number of Contacts</b> 06 to 80 Contacts		
<b>Contact Plating</b>	<b>Pin Length mm</b>	
B:Gold Flash	S:7.0 3.6	
E:10u" Gold	R:7.0 3.8	
F:15u" Gold	If you desire an other length by marking put desired length in the A/B	
J:30u" Gold	◎Standard: S:7.0/3.6 R:7.0/3.8	
Standard:B		
<b>Connector Type</b>	<b>CODE</b>	
Straight	S	
Right Angle	R	

<b>尚益科技有限公司</b> JMSSCONN TECHNOLOGY CO., LTD.				
PROJ	SCALE : F DO NOT SCALE DWG	MOLD NO 11101		
APP		MODEL	FILE NO	REV. X1
CHK		UNIT MM	SHT 1 OF 1	SIZE A4
DGN				
DRW	SHIEH	2007.11.06		