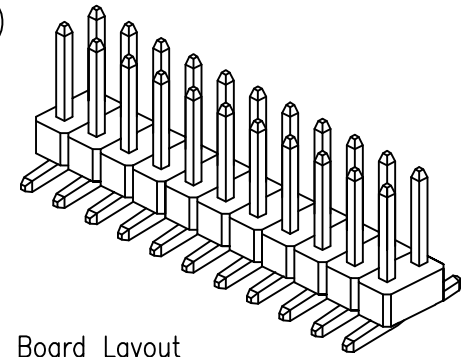
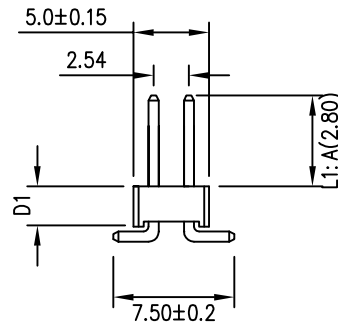
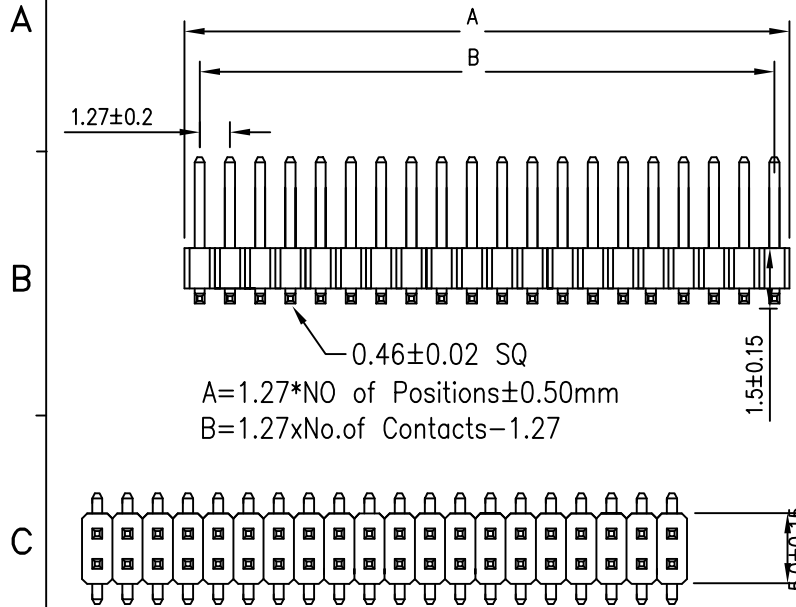
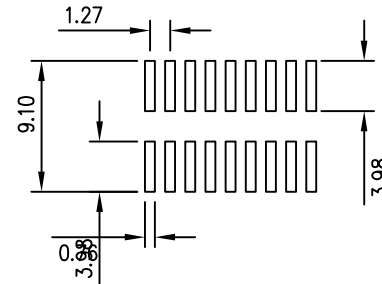


# PIN HEADER

(DUAL ROW/SMT TYPE Pitch:1.27\*2.54mm)



P.C.B Board Layout



### ORDER INFORMATION:

11860-2 X ?? -HS -D1 -L1

L1: A:2.80mm  
L2: A:3.0mm  
L3: A:6.0mm

Height: D1:1.70mm  
D2:2.50mm

HS1: SMT Type  
No of Contacts 3~50  
Dual Row

## SPECIFICATIONS

CURRENT RATING:1AMP  
INSULATOR RESISTANCE:5000MΩMIN  
DIELECTRIC WITHSTANDING:AC 500V  
OPERATING TEMPERATURE:-40°C~+105°C  
CONTACT MATERIAL:PHOSPHOR BRONZE OR BRONZE  
INSULATOR MATERIAL:POLYESTER UL94V-0  
NYLON-6T

FINISH:GOLD FLASH

尚益科技有限公司  
JMSSCONN TECHNOLOGY CO., LTD.

PROJ		SCALE : F DO NOT SCALE DWG	MOLD NO 11860		
APP			MODEL	FILE NO 1.27*2.54mm(SMT)	REV. X1
CHK			DGN	UNIT MM	SIZE A4
DRW	HSIEH	2016.11.28	SHT 1 OF 1		