

1 2 3 4 5 6 7

A

A

B

B

C

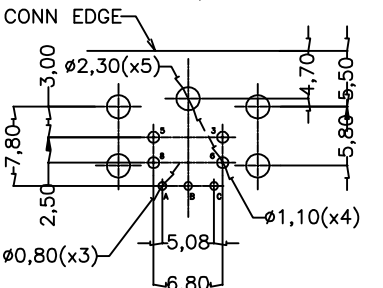
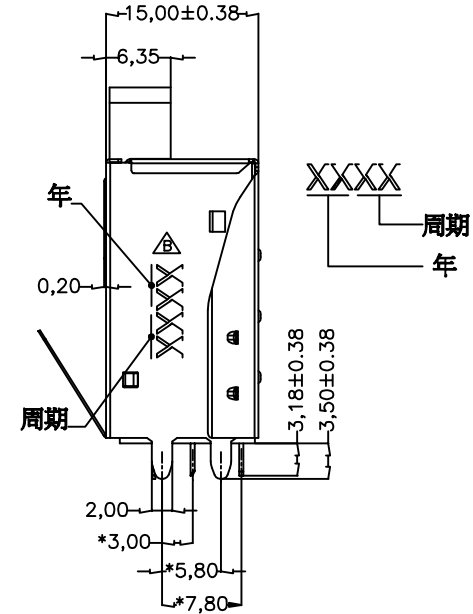
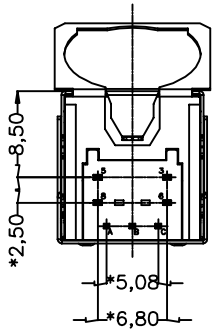
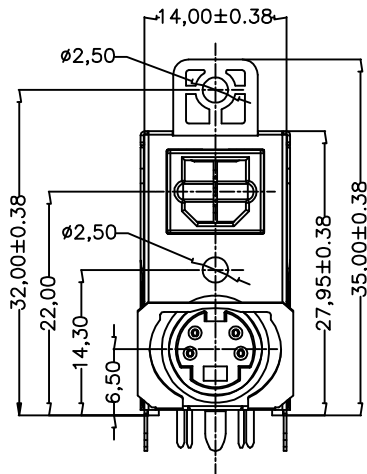
C

D

D

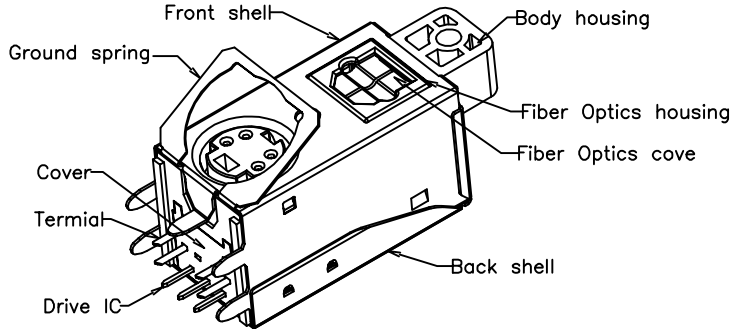
E

E



RECOMMEND P.C.B LAYOUT(Tolerance:±0.05)
TOP VIEW

DIMENSIONS TOLERANCE
METRIC
.0= ±.38
.00= ±.25
.000= ±.15
.0000=±
ANG.= ± 3'



MATERIALS:
 1>.BODY HOUSING&MINI DIN COVER:PBT UL94V-0,BLACK,
 2>.FIBER OPTICS HOUSING:PBT UL94V-0,BLACK,
 FIBER OPTICS COVER:NYLON9T UL94V-0,GRAY.
 3>.TERMIAL:#3,5,6,8 PHOSPHOR BRONZE,T=0.20mm,
 PLATING:GOLD PLATING ON CONTACT AREA,TIN PLATING
 ON SOLDER TAIL.
 4>.DRIVE IC: #A,B,C PHOSPHOR BRONZE T=0.40,
 TIN PLATING ON SOLDER TAIL.
 5>.FRONT SHELL: BRASS T=0.30 NICKEL PLATING.
 6>.BACK SHELL: BRASS T=0.30,NICKEL PLATING.
 7>.GROUND SPRING:STAINLESS STEEL T=0.20.
 8>.COIL SPRING:STAINLESS STEEL.
SPECIFICATION:
 1>.CURRENT RAING: 2AMP.MAX.
 2>.DIELECTRIC WITHSTANDING VOLTAGE: 500V AC R.M.S. FOR ONE MINUTE.
 3>.INSULATION RESISTANCE: 100M OHMS MIN AT 500V DC.
 4>.CONTACT RESISTANCE:50m OHMS MAX.
 5>.OPERATING TEMPERATURE: -25'~+70'.
 6>.DURABILITY:5000 CYCLES.
 7>.MATING FORCE:0.50~4.5kgs.
 8>.UNMATING FORCE: 0.50~4.50kgs.
 9>."*"表示或是重點管地尺寸
 THIS PRODUCT IS LEAD-FREE&RoHS COMPLIANT PRODUCT.

尚益科技有限公司
JMSCONN TECHNOLOGY CO., LTD.

料號	前殼電鍍	主體零件材質/顏色	光線上部零件材質/顏色	光線下部零件材質/顏色	底蓋材質/顏色	門蓋材質/顏色
30202-T	鍍亮錫	PBT 黑色	PBT 黑色	PBT 黑色	PBT 黑色	NYLON9T 灰色

PROJ		SCALE : F DO NOT SCALE DWG	MOLD NO 30202-T
APP			MODEL
CHK			FILE NO
DGN			REV. X1
DRW	HSIEH	2016.11.24	UNIT MM
			SHT 1 OF 1
			SIZE A4

1 2 3 4 5 6 7