

1 2 3 4 5 6 7

A

B

C

D

E

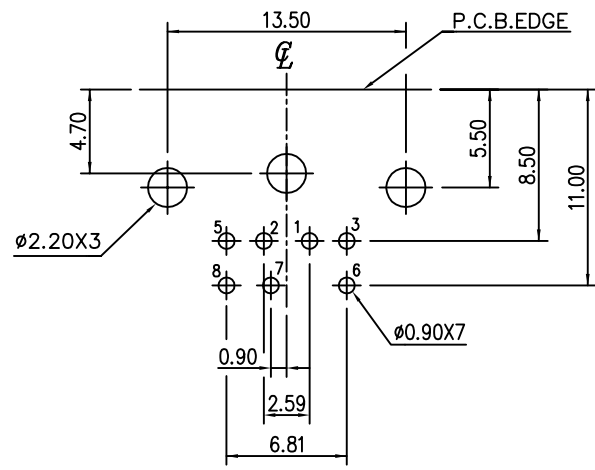
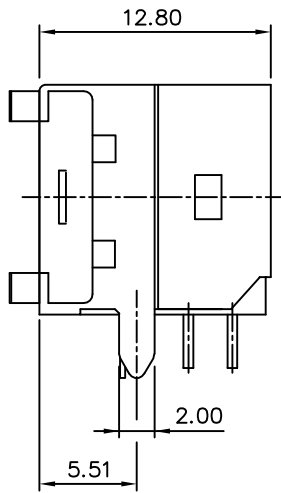
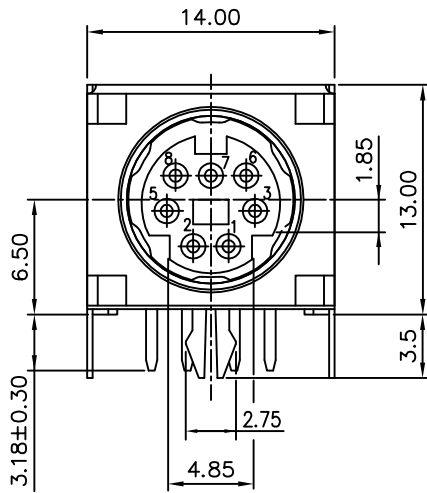
A

B

C

D

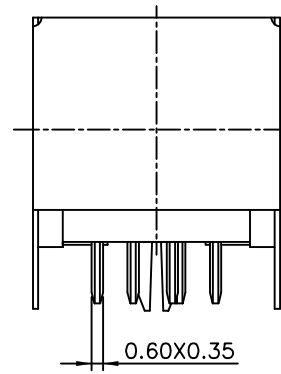
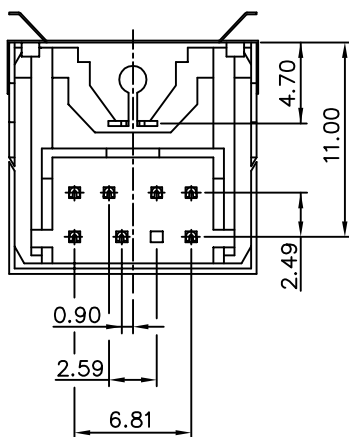
E



P.C.B. RECOMMEND LAYOUT
(BOTTOM VIEW)

NOTES:

1. MATERIAL
 HOUSING : THERMOPLASTIC, GLASS FIBER FILLED
 UL 94V-0 RATED.
 CONTACT : PHOSPHOR BRONZE
 SHIELD : BRASS
 GROUNDING: STAINLESS STEEL
2. FINISH
 CONTACT : UNDER PLATED 50u"MIN. NICKEL COVER ALL
 120u" MIN. TIN IN SOLDERING AREA
 SELECTIVE GOLD PLATED IN CONTACT AREA.
 SHIELD : (L) BRIGHT TIN, PLATED WITH 120u" THICK.
 OVER 50u" THICKNESS Ni.
 (S) TIN, PLATED WITH 120u" THICK,
 OVER 100u" THICKNESS Cu.
 (N) NICKEL, PLATED WITH 120u" THICK,
 OVER 100u" THICKNESS Cu.



尚益科技有限公司
JMSCONN TECHNOLOGY CO., LED.

PROJ		SCALE : F DO NOT SCALE DWG	MOLD NO 30025-7-03
APP			MODEL
CHK	CCJ	91.01.16	FILE NO
DGN	AMY	91.01.16	UNIT
DRW	SHIEH	91.01.16	MM
			SHT 1 OF 1
			REV. X1
			SIZE A4

1 2 3 4 5 6 7