

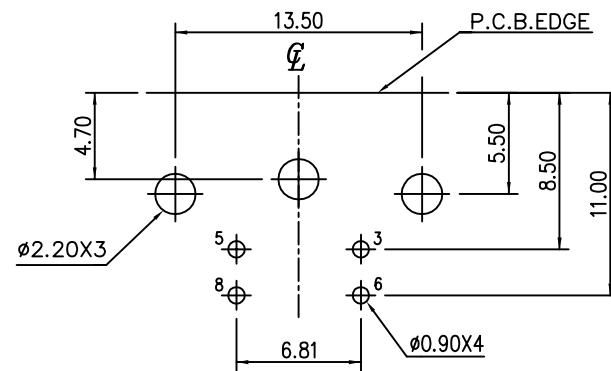
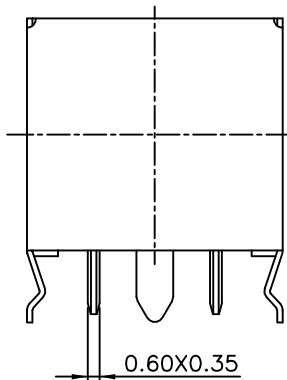
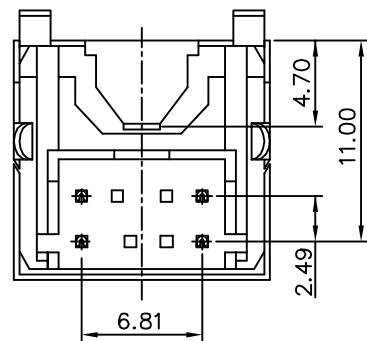
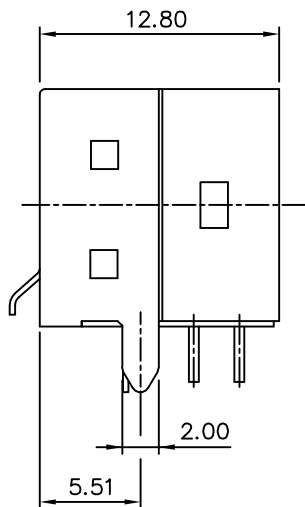
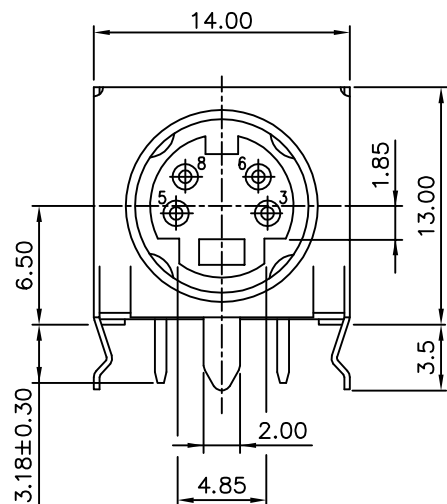
A

B

C

D

E



P.C.B. RECOMMEND LAYOUT  
(BOTTOM VIEW)

NOTES:

1. MATERIAL :

HOUSING : THERMOPLASTIC, GLASS FIBER FILLED  
UL 94V-0 RATED.  
CONTACT : PHOSPHOR BRONZE  
SHIELD : BRASS

2. FINISH :

CONTACT : UNDER PLATED 50 $\mu$ "MIN. NICKEL, OVER ALL  
120 $\mu$ " MIN. TIN IN SOLDERING AREA,  
SELECTIVE GOLD PLATED IN CONTACT AREA.

SHIELD : L: BRIGHT TIN , PLATED WITH 120 $\mu$ "THICK.  
OVER 50 $\mu$ "THICKNESS Ni.  
S: TIN , PLATED WITH 120 $\mu$ "THICK,  
OVER 100 $\mu$ "THICKNESS Cu.  
N: NICKEL , PLATED WITH 120 $\mu$ "THICK,  
OVER 100 $\mu$ "THICKNESS Cu.

尚益科技有限公司  
JMISCONN TECHNOLOGY CO., LED.

PROJ		SCALE : F DO NOT SCALE DWG	MOLD NO 30023-4-03		
APP			MODEL	FILE NO	REV. X1
CHK	CCJ	91.01.16			
DGN	AMY	91.01.16	UNIT		SIZE A4
DRW	SHIEH	91.01.16	MM	SHT 1 OF 1	

A

B

C

D

E

1

2

3

4

5

6

7

1

2

3

4

5

6

7