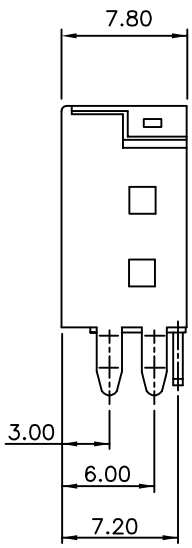
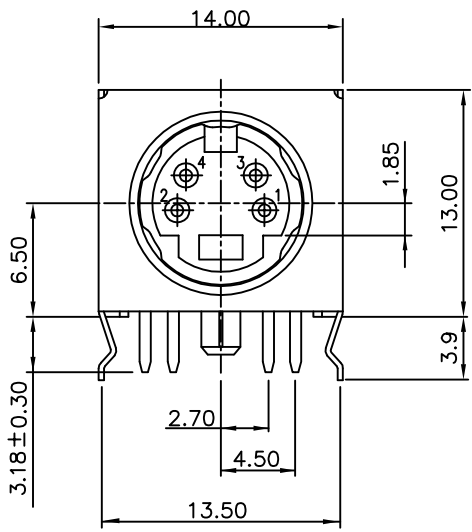


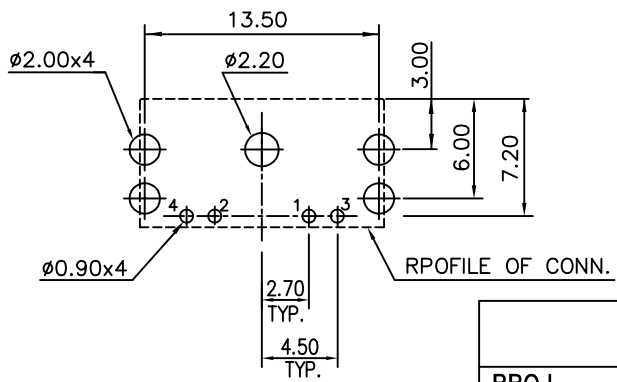
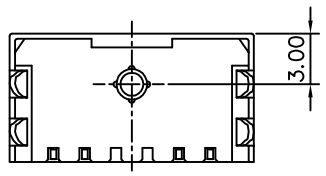
1 2 3 4 5 6 7

A
B
C
D
E

A
B
C
D
E



- NOTES:
- MATERIAL :
HOUSING : THERMOPLASTIC, GLASS FIBER FILLED
UL 94V-0 RATED.
CONTACT : PHOSPHOR BRONZE
SHIELD : BRASS
 - FINISH :
CONTACT : UNDER PLATED 50u" MIN. NICKEL COVER ALL
120u" MIN. TIN/LEAD IN SOLDERING AREA
SELECTIVE GOLD PLATED IN CONTACT AREA.
SHIELD : PLATED WITH 120u" THICK. BRIGHT TIN/LEAD
OVER 50u" THICKNESS Cu.



RECOMMENDED PCB LAYOUT
(BOTTOM VIEW)

尚益科技有限公司
JMSSCONN TECHNOLOGY CO., LED.

PROJ		SCALE : F DO NOT SCALE DWG	MOLD NO 30022-4-03		
APP			MODEL	FILE NO	REV. X1
CHK	CCJ	91.01.16	UNIT MM	SHT 1 OF 1	SIZE A4
DGN	AMY	91.01.16			
DRW	SHIEH	91.01.16			

1 2 3 4 5 6 7