

1 2 3 4 5 6 7

A

A

B

B

C

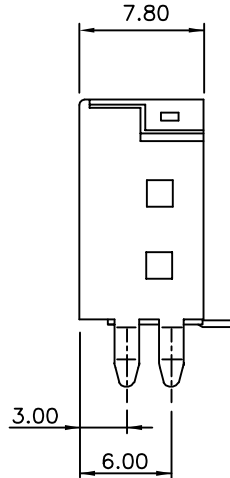
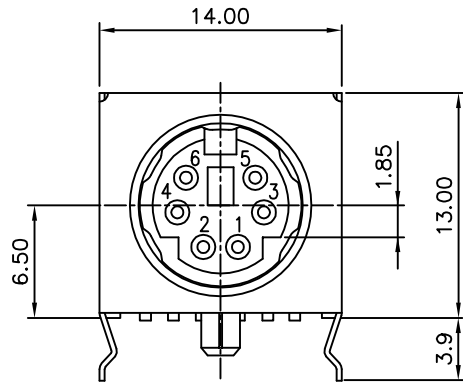
C

D

D

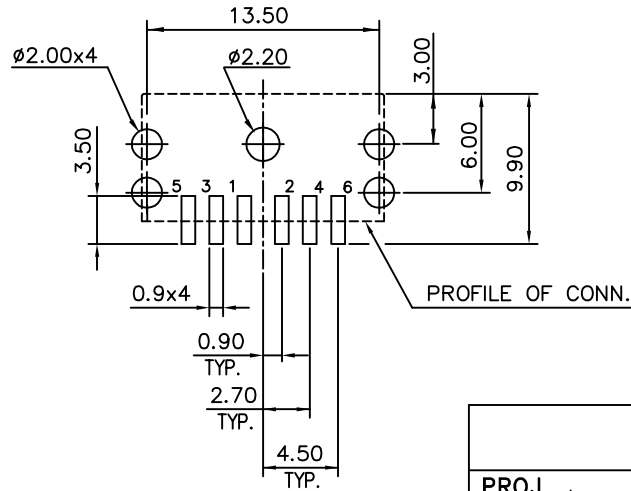
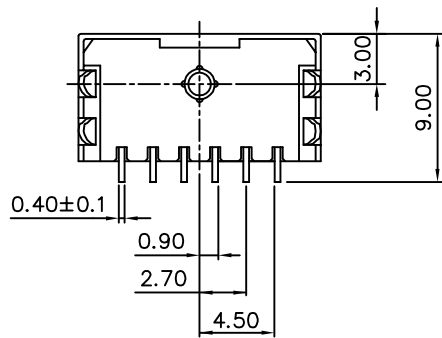
E

E



NOTES:

1. MATERIAL :  
 HOUSING : THERMOPLASTIC, GLASS FIBER FILLED  
 UL 94V-0 RATED.  
 CONTACT : PHOSPHOR BRONZE  
 SHIELD : BRASS
2. FINISH :  
 CONTACT : UNDER PLATED 50u"MIN. NICKEL COVER ALL  
 120u" MIN. TIN/LEAD IN SOLDERING AREA  
 SELECTIVE GOLD PLATED IN CONTACT AREA.  
 SHIELD : PLATED WITH 120u"THICK. BRIGHT TIN/LEAD  
 OVER 50u" THICKNESS Cu.



RECOMMENDED PCB LAYOUT

尚益科技有限公司  
 JMSCONN TECHNOLOGY CO., LED.

PROJ		SCALE : F DO NOT SCALE DWG	MOLD NO 30021-6-03	REV. X1
APP			MODEL	FILE NO
CHK	CCJ	91.01.16	UNIT	SIZE
DGN	AMY	91.01.16	MM	A4
DRW	SHIEH	91.01.16	SHT 1 OF 1	

1 2 3 4 5 6 7