

1 2 3 4 5 6 7

A

A

B

B

C

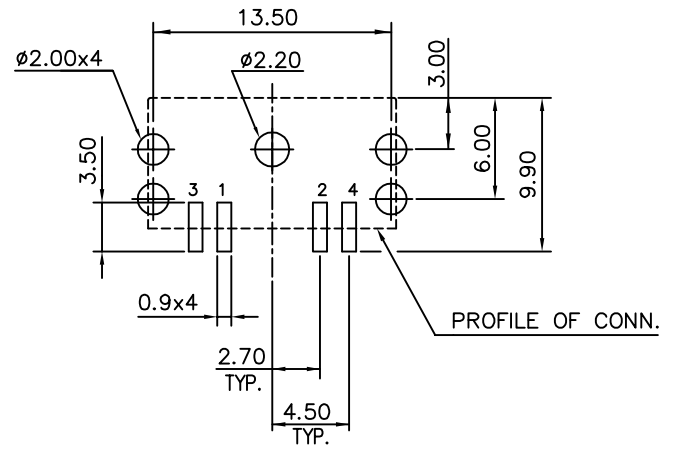
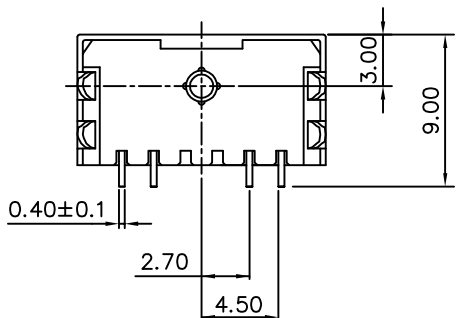
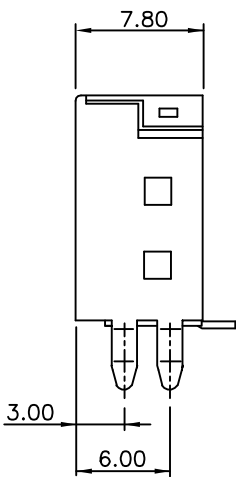
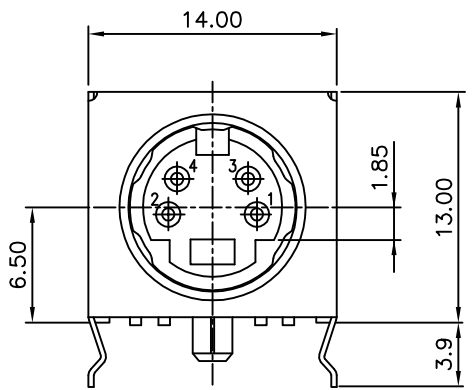
C

D

D

E

E



RECOMMENDED PCB LAYOUT

NOTES:

1. MATERIAL :
 HOUSING : THERMOPLASTIC, GLASS FIBER FILLED
 UL 94V-0 RATED.
 CONTACT : PHOSPHOR BRONZE
 SHIELD : BRASS
2. FINISH :
 CONTACT : UNDER PLATED 50u"MIN. NICKEL COVER ALL
 120u" MIN. TIN/LEAD IN SOLDERING AREA
 SELECTIVE GOLD PLATED IN CONTACT AREA.
 SHIELD : PLATED WITH 120u"THICK. BRIGHT TIN/LEAD
 OVER 50u" THICKNESS Cu.

尚益科技有限公司
 JMSCONN TECHNOLOGY CO., LED.

| | | | | | |
|------|-------|-------------------------------|-----------------------|------------|------------|
| PROJ | | SCALE : F DO NOT SCALE DWG | MOLD NO 30021-4-03 | | |
| APP | | | MODEL | FILE NO | REV. X1 |
| CHK | CCJ | 91.01.16 | | | |
| DGN | AMY | 91.01.16 | UNIT | SHT 1 OF 1 | SIZE A4 |
| DRW | SHIEH | 91.01.16 | MM | | |

1 2 3 4 5 6 7