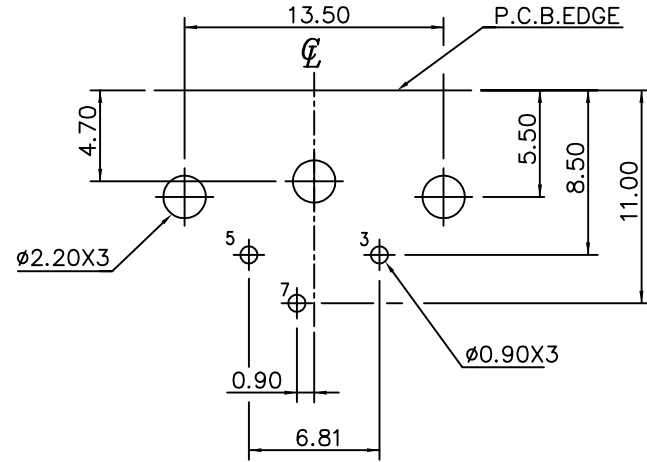
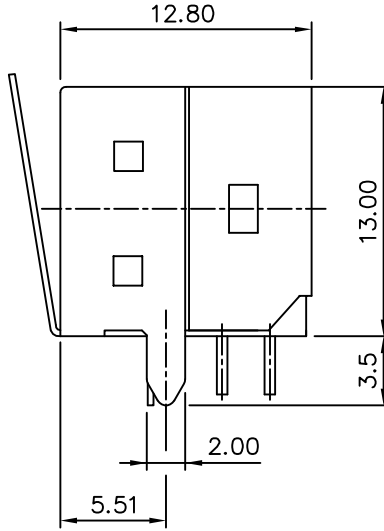
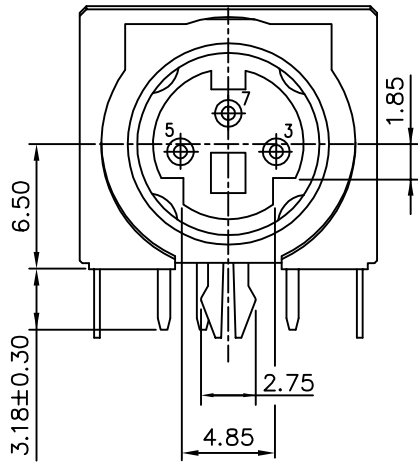


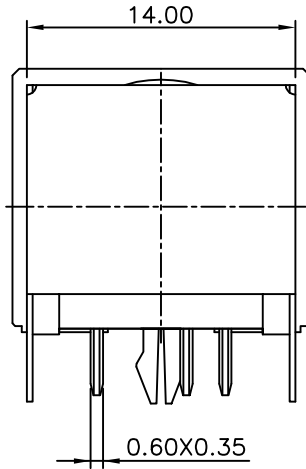
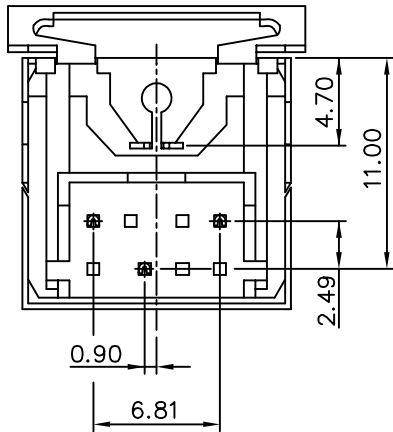
1 2 3 4 5 6 7

A



B

C



D

E

P.C.B. RECOMMEND LAYOUT

(BOTTOM VIEW)

NOTES:

1. MATERIAL :
 HOUSING : THERMOPLASTIC, GLASS FIBER FILLED
 UL 94V-0 RATED.
 CONTACT : PHOSPHOR BRONZE
 SHIELD : BRASS
 GROUNDING: STAINLESS STEEL
2. FINISH :
 CONTACT : UNDER PLATED 50u"MIN. NICKEL, OVER ALL
 120u" MIN. TIN IN SOLDERING AREA,
 SELECTIVE GOLD PLATED IN CONTACT AREA.
 SHIELD : L: BRIGHT TIN, PLATED WITH 120u"THICK.
 OVER 50u"THICKNESS Ni.
 S: TIN, PLATED WITH 120u"THICK,
 OVER 100u"THICKNESS Cu.
 N: NICKEL, PLATED WITH 120u"THICK,
 OVER 100u"THICKNESS Cu.

尚益科技有限公司
 JMSSCONN TECHNOLOGY CO., LTD.

PROJ		SCALE : F DO NOT SCALE DWG	MOLD NO 30020-3-03S		
APP			MODEL	FILE NO	REV. X1
CHK	CCJ	91.01.16			
DGN	AMY	91.01.16	UNIT		SIZE A4
DRW	SHIEH	91.01.16	MM	SHT 1 OF 1	

1 2 3 4 5 6 7