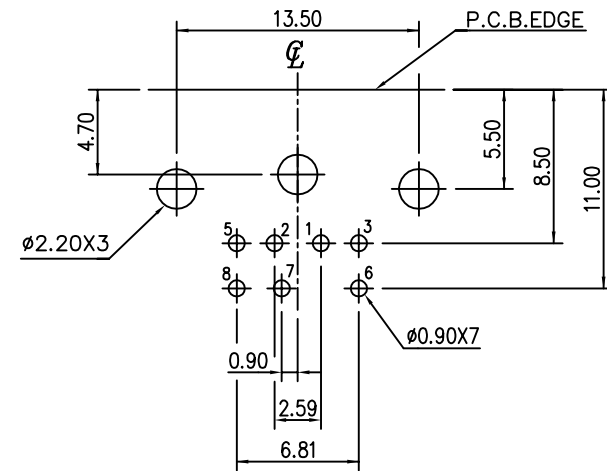
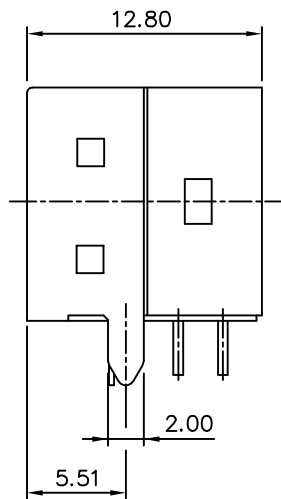
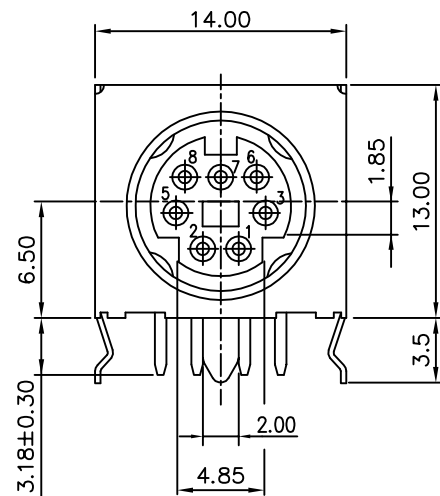


1 2 3 4 5 6 7

A



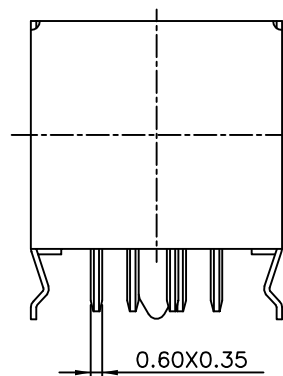
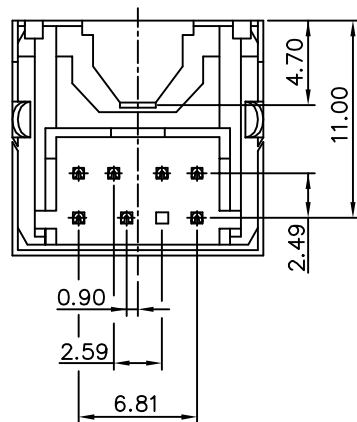
P.C.B. RECOMMEND LAYOUT  
(BOTTOM VIEW)  
P.C.B. RECOMMEND LAYOUT  
(BOTTOM VIEW)

B

C

D

E



NOTES:

- MATERIAL :  
HOUSING : THERMOPLASTIC, GLASS FIBER FILLED  
UL 94V-0 RATED.  
CONTACT : PHOSPHOR BRONZE  
SHIELD : BRASS
- FINISH :  
CONTACT : UNDER PLATED 50u"MIN. NICKEL, OVER ALL  
120u" MIN. TIN IN SOLDERING AREA,  
SELECTIVE GOLD PLATED IN CONTACT AREA.  
SHIELD : L: BRIGHT TIN, PLATED WITH 120u"THICK.  
OVER 50u"THICKNESS Ni.  
S: TIN, PLATED WITH 120u"THICK,  
OVER 100u"THICKNESS Cu.  
N: NICKEL, PLATED WITH 120u"THICK,  
OVER 100u"THICKNESS Cu.

尚益科技有限公司  
JMSSCONN TECHNOLOGY CO., LED.

PROJ		SCALE : F DO NOT SCALE DWG	MOLD NO 30020-7-03K1		
APP			MODEL	FILE NO	REV.
CHK	CCJ	91.02.22	21-002E		X1
DGN	AMY	91.02.22	UNIT	SHT 1 OF 1	SIZE
DRW	SHIEH	91.02.22	MM		A4

1 2 3 4 5 6 7