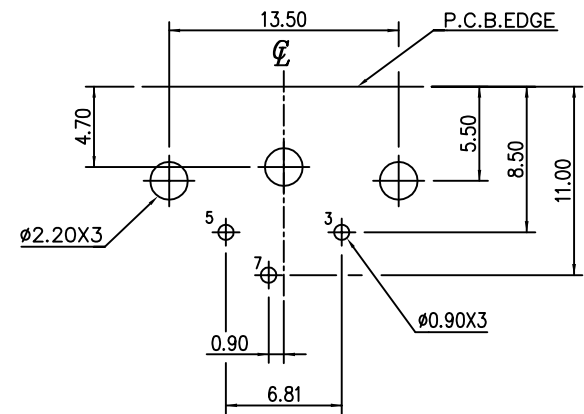
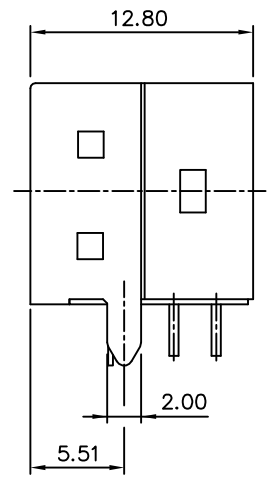
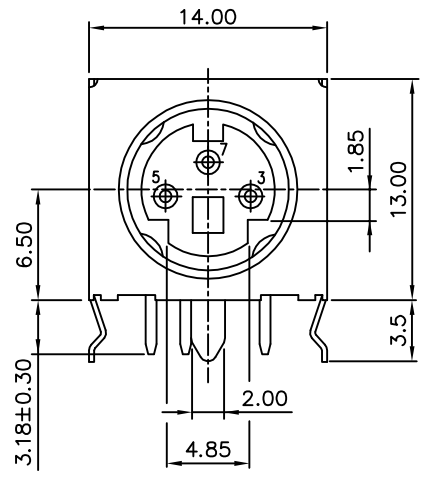


1 2 3 4 5 6 7

A
B
C
D
E

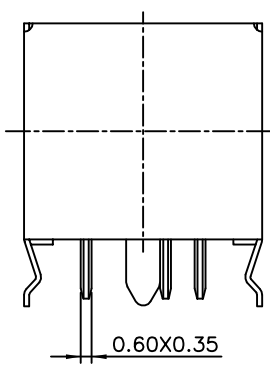
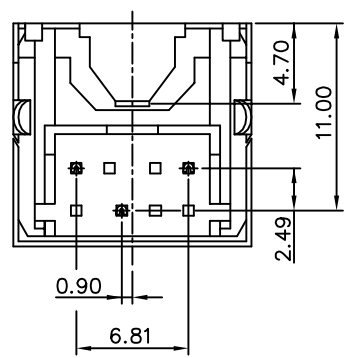
A
B
C
D
E



P.C.B. RECOMMEND LAYOUT
(BOTTOM VIEW)

NOTES:

1. MATERIAL :
HOUSING : THERMOPLASTIC, GLASS FIBER FILLED
UL 94V-0 RATED.
CONTACT : PHOSPHOR BRONZE
SHIELD : BRASS
2. FINISH :
CONTACT : UNDER PLATED 50u"MIN. NICKEL, OVER ALL
320u" MIN. TIN IN SOLDERING AREA.
SELECTIVE GOLD PLATED IN CONTACT AREA.
- SHIELD : L: BRIGHT TIN , PLATED WITH 120u"THICK.
OVER 50u"THICKNESS Ni.
S: TIN , PLATED WITH 120u"THICK,
OVER 100u"THICKNESS Cu.
N: NICKEL , PLATED WITH 120u"THICK,
OVER 100u"THICKNESS Cu.



1 2 3 4 5 6 7

尚益科技有限公司
JMISCONN TECHNOLOGY CO., LED.

PROJ		SCALE : F DO NOT SCALE DWG	MOLD NO 30020-3-03K
APP			MODEL 21-002A
CHK	CCJ	91.02.22	FILE NO
DGN	AMY	91.02.22	REV. X1
DRW	SHIEH	91.02.22	UNIT MM
			SHT 1 OF 1
			SIZE A4