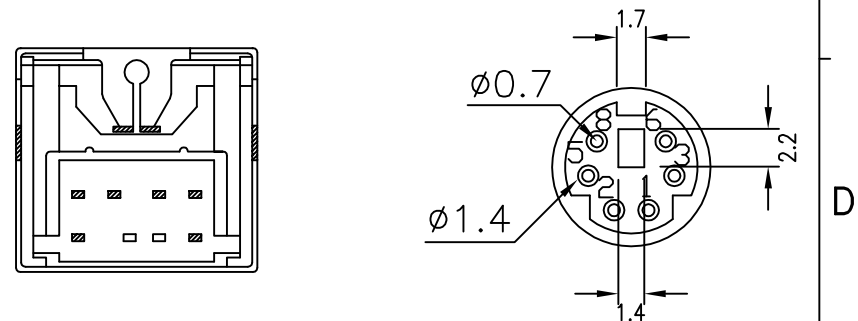


NO.	NAME	MATERIAL	FINISH	Q'TY	REMARK
1	HOUSING	P.B.T.	BLACK	1	
2	CONTACT	PHOS. BRONZE	GOLD-TIN PLATED	6	N1:1~5 μ ; TIN:3 μ GOLD:1~3 μ
3	SHIELD	COPPER ALLOY	TIN-LEAD PLATED	1	TIN/LEAD:3~5 μ
4	BACK COVER	P.B.T.	BLACK	1	

REQUIREMENTS

CONTACT RESISTANCE:30m Ω max.(INITIAL)
 INSULATION RESISTANCE:100M Ω min.AT 500V DC.
 WITHSTANDING VOLTAGE:500V AC FOR ONE MINUTE
 SOLDERING HEAT TEST:260 \pm 5 $^{\circ}$ C FOR 5 \pm 1 SECONDS
 INSERTION FORCE:0.5~4.5KG
 EXTRACTION FORCE:0.4~3.5 KG
 LIFE TIME:5000 CYCLES min



尚益科技有限公司 JMSCONN TECHNOLOGY CO., LTD.				
PROJ		SCALE : F DO NOT SCALE DWG	MOLD NO 30020-6-02	
APP			MODEL 6 PIN	FILE NO MINI DIN JACK FULL SHIELD
CHK	CCJ	91.01.28		REV. X1
DGN	AMY	91.01.28	UNIT MM	SHT 1 OF 1
DRW	SHIEH	91.01.28		SIZE A4