

1 2 3 4 5 6 7

A

B

C

D

E

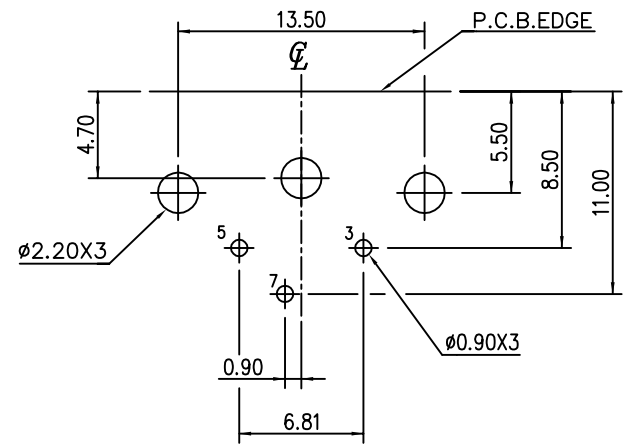
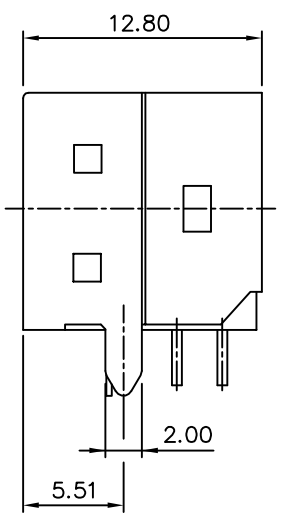
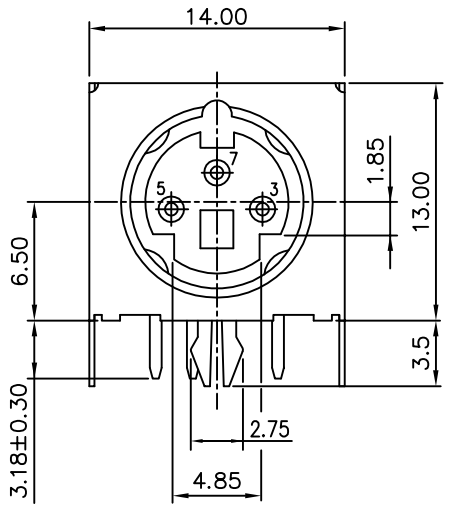
A

B

C

D

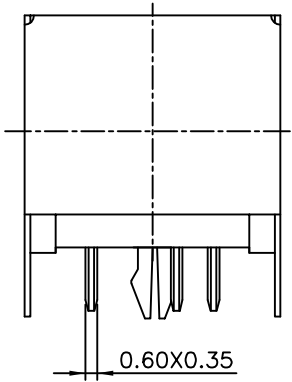
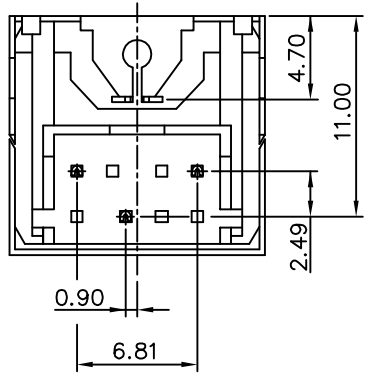
E



P.C.B. RECOMMEND LAYOUT
(BOTTOM VIEW)

NOTES:

1. MATERIAL :
HOUSING : THERMOPLASTIC, GLASS FIBER FILLED
UL 94V-0 RATED.
CONTACT : PHOSPHOR BRONZE
SHIELD : BRASS
2. FINISH :
CONTACT : UNDER PLATED 50 μ "MIN. NICKEL, OVER ALL
120 μ " MIN. TIN IN SOLDERING AREA,
SELECTIVE GOLD PLATED IN CONTACT AREA.
SHIELD : L: BRIGHT TIN , PLATED WITH 120 μ "THICK.
OVER 50 μ "THICKNESS Ni.
S: TIN , PLATED WITH 120 μ "THICK,
OVER 100 μ "THICKNESS Cu.
N: NICKEL , PLATED WITH 120 μ "THICK,
OVER 100 μ "THICKNESS Cu.



尚益科技有限公司
JMSCONN TECHNOLOGY CO., LED.

PROJ		SCALE : F DO NOT SCALE DWG		MOLD NO 30020-3-03	
APP			MODEL	FILE NO	REV.
CHK	CCJ	91.02.22	21-004A		X1
DGN	AMY	91.02.22	UNIT	SHT 1 OF 1	SIZE
DRW	SHIEH	91.02.22	MM		A4

1 2 3 4 5 6 7