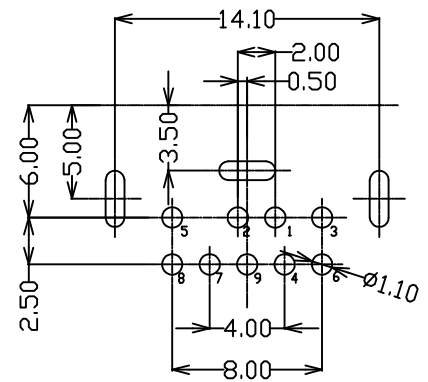
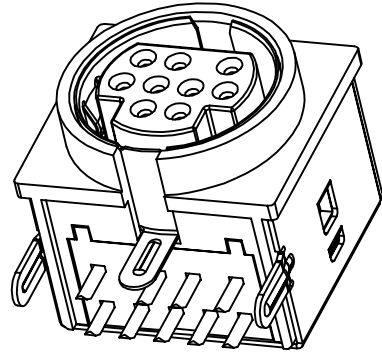
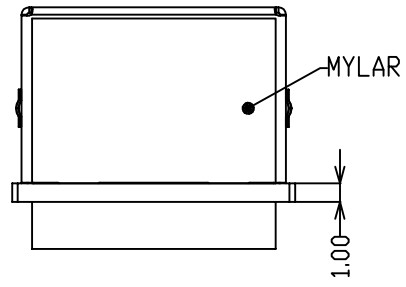


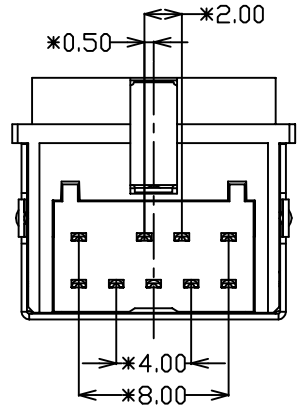
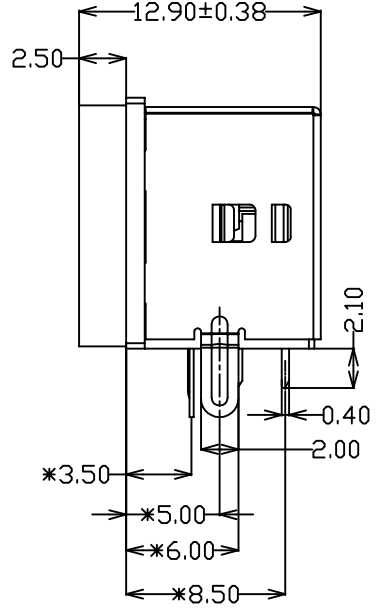
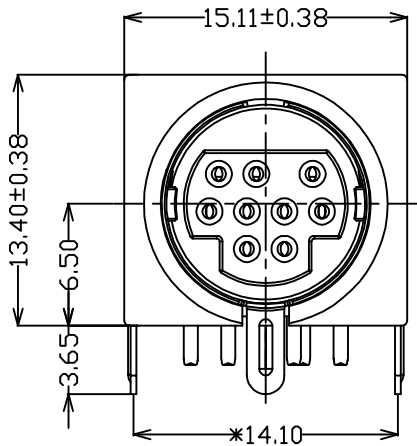
1 2 3 4 5 6 7

A
B
C
D
E

A
B
C
D
E



P.C.B. LAYOUT
BOTTOM VIEW(TOLERANCE±0.05)



- 1.MATERIALS:
 1.1 INSULATOR: PBT+30% UL94V-0.
 1.2 CONTACT:BRASS ,
 GOLD FLASH ON CONTACT AREA,
 NICKEL PLATING OVERALL,
 TIN 100u" PLATING ON SOLDER TAIL.
 1.3 SHELL:SPCC,T=0.3mm,
 NICKEL 30u" PLATING OVERALL.
 1.4 SPRING: C2680,T=0.20mm,
 NICKEL 30u" PLATING OVERALL.
 2.ENVIRONMENTAL:
 2.1 OPERATING TEMPERATURE:
 -25°C~85°C ELECTRICAL;
 2.2 CONTACT CURRENT RATING:1.5 Amp;
 2.3 DIELECTRIC WITHSTANDING :
 AC 500V/min.R.M.S.,VOLTAGE RATING 12 DC;
 2.4 INSULATION RESISTANCE: 500Mvmin.at 500V DC;
 2.5 CONTACT RESISTANCE: 30mV Max.

**標示是重點管控尺寸

DIMENSIONS TOLERANCE

METRIC	
.0=	±.38
.00=	±.25
.000=	±.15
.0000=	±
ANG.=	± 2°

尚益科技有限公司
 JMSCONN TECHNOLOGY CO., LTD.

PROJ		SCALE : F DO NOT SCALE DWG	MOLD NO 30011-T-09		
APP			MODEL	FILE NO	REV. X1
CHK					
DGN			UNIT	SHT 1 OF 1	SIZE A4
DRW	HSIEH	2016.11.24	MM		

1 2 3 4 5 6 7