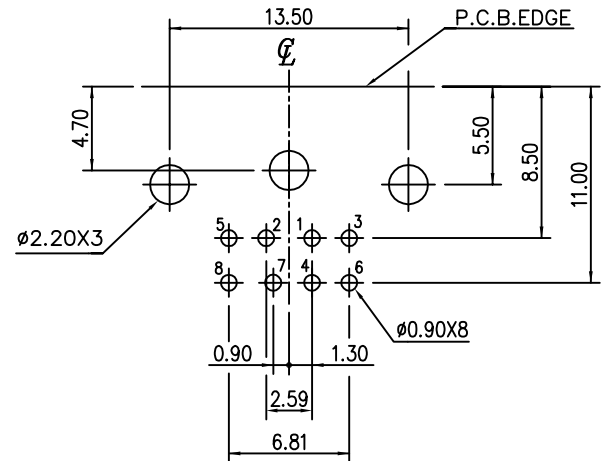
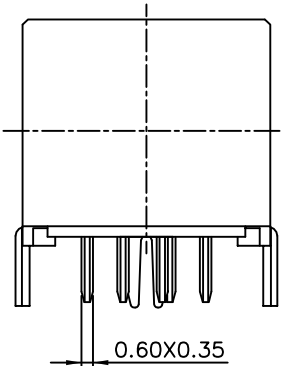
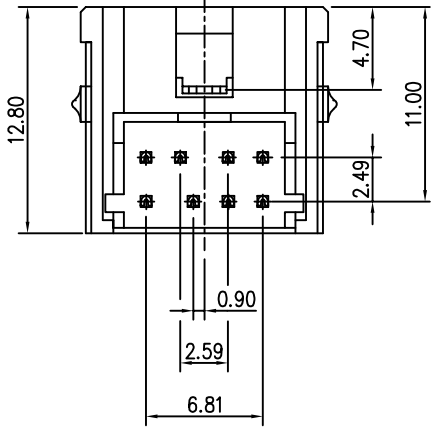
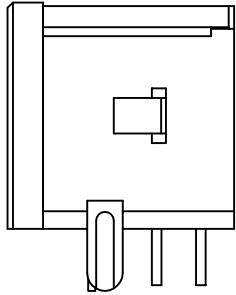
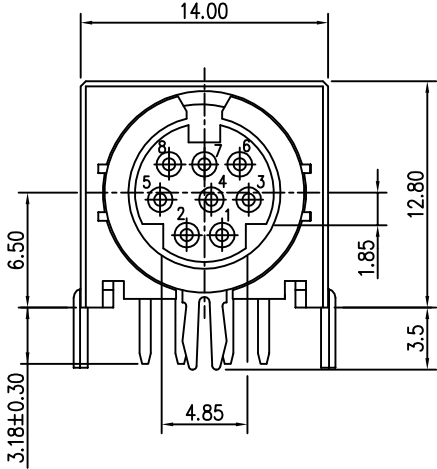


1 2 3 4 5 6 7

A
B
C
D
E

A
B
C
D
E



P.C.B. RECOMMEND LAYOUT
(BOTTOM VIEW)

- NOTES:
- MATERIAL :
HOUSING : THERMOPLASTIC, GLASS FIBER FILLED
UL 94V-0 RATED.
CONTACT : PHOSPHOR BRONZE
OUTER SHIELD : SPCC
INNER SHIELD : SPCC
 - FINISH :
CONTACT : UNDER PLATED 50 μ MIN. NICKEL ,OVER ALL
120 μ MIN. TIN IN SOLDERING AREA,
SELECTIVE GOLD PLATED IN CONTACT AREA.
OUTER SHIELD : L: BRIGHT TIN , PLATED WITH 120 μ THICK,
OVER 50 μ THICKNESS Ni.
S: TIN , PLATED WITH 120 μ THICK.
OVER 100 μ THICKNESS Cu.
N: NICKEL , PLATED WITH 120 μ THICK.
OVER 100 μ THICKNESS Cu.
G: TIN , PLATED WITH 120 μ THICK,
OVER 100 μ THICKNESS Cu.
INNER SHIELD : L: BRIGHT TIN , PLATED WITH 120 μ THICK.
OVER 50 μ THICKNESS Ni.
S: TIN , PLATED WITH 120 μ THICK.
OVER 100 μ THICKNESS Cu.
N: NICKEL , PLATED WITH 120 μ THICK.
OVER 100 μ THICKNESS Cu.
G: GOLD FLASH , OVER 100 μ THICKNESS Cu.

尚益科技有限公司
JMSCONN TECHNOLOGY CO., LED.

PROJ		SCALE : F DO NOT SCALE DWG	MOLD NO 30010-8-03		
APP			MODEL	FILE NO	REV. X1
CHK	CCJ	91.01.16	UNIT	SHT 1 OF 1	SIZE A4
DGN	AMY	91.01.16	MM		
DRW	SHIEH	91.01.16			

1 2 3 4 5 6 7