

1 2 3 4 5 6 7

A

B

C

D

E

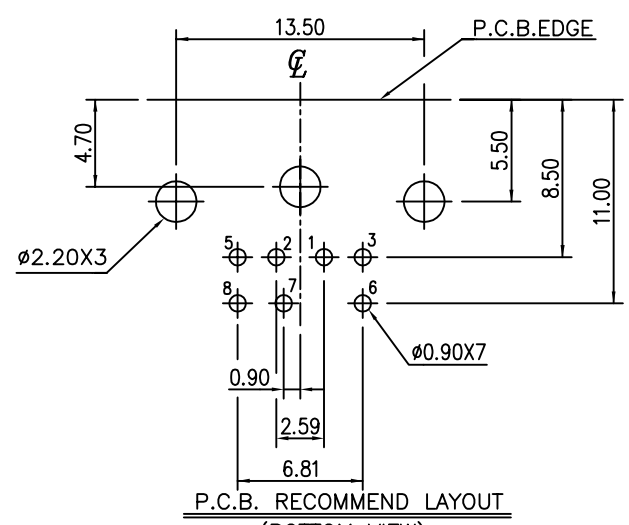
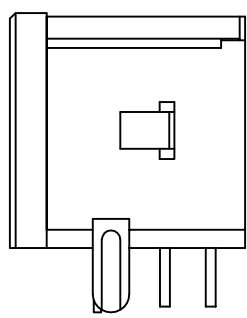
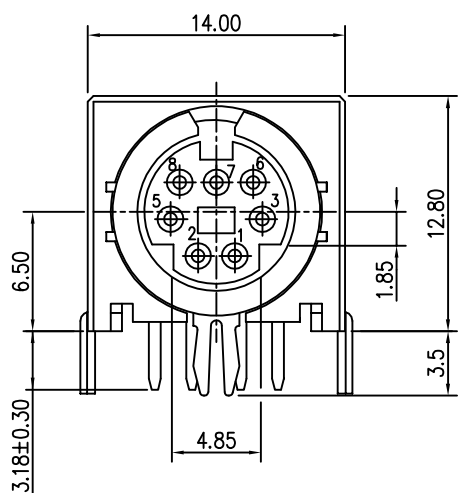
A

B

C

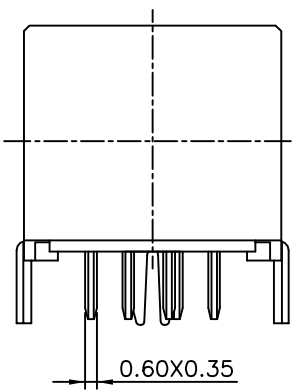
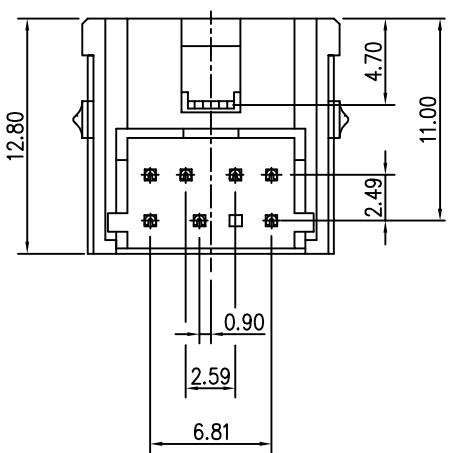
D

E



NOTES:

- MATERIAL :  
 HOUSING : THERMOPLASTIC, GLASS FIBER FILLED  
 UL 94V-0 RATED.  
 CONTACT : PHOSPHOR BRONZE  
 OUTER SHIELD : SPCC  
 INNER SHIELD : SPCC
- FINISH :  
 CONTACT : UNDER PLATED 50u" MIN. NICKEL ,OVER ALL  
 120u" MIN. TIN IN SOLDERING AREA,  
 SELECTIVE GOLD PLATED IN CONTACT AREA.  
 OUTER SHIELD : L: BRIGHT TIN , PLATED WITH 120u" THICK,  
 OVER 50u" THICKNESS Ni  
 S: TIN , PLATED WITH 120u" THICK.  
 OVER 100u" THICKNESS Cu.  
 N: NICKEL , PLATED WITH 120u" THICK.  
 OVER 100u" THICKNESS Cu.  
 G: TIN , PLATED WITH 120u" THICK,  
 OVER 100u" THICKNESS Cu.  
 INNER SHIELD : L: BRIGHT TIN , PLATED WITH 120u" THICK.  
 OVER 50u" THICKNESS Ni  
 S: TIN , PLATED WITH 120u" THICK.  
 OVER 100u" THICKNESS Cu.  
 N: NICKEL , PLATED WITH 120u" THICK.  
 OVER 100u" THICKNESS Cu.  
 G: GOLD FLASH , OVER 100u" THICKNESS Cu.



尚益科技有限公司  
 JMCONN TECHNOLOGY CO., LED.

PROJ		SCALE : F DO NOT SCALE DWG	MOLD NO 30010-7-03		
APP			MODEL	FILE NO	REV. X1
CHK	CCJ	91.01.16	UNIT MM	SHT 1 OF 1	SIZE A4
DGN	AMY	91.01.16			
DRW	SHIEH	91.01.16			

1 2 3 4 5 6 7