

1 2 3 4 5 6 7

A

A

B

B

C

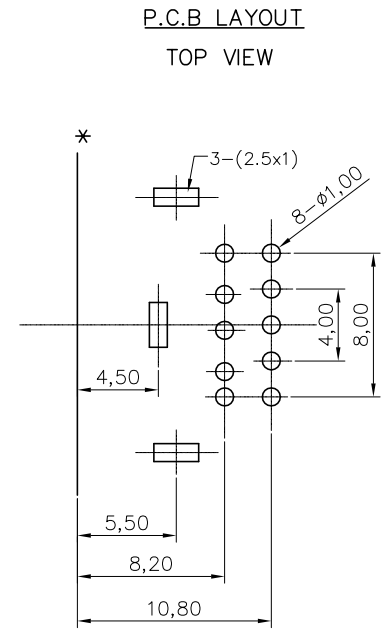
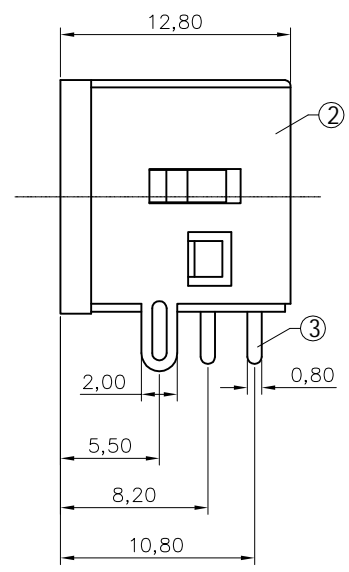
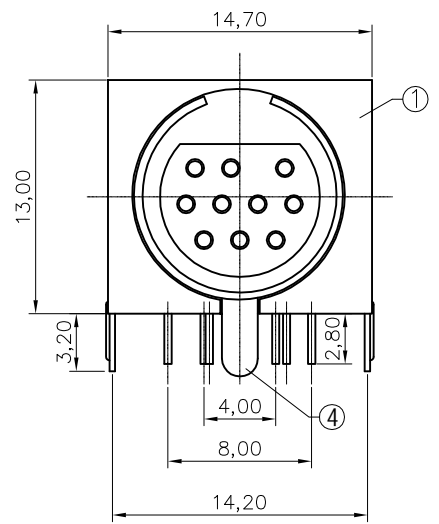
C

D

D

E

E



SPECIFICATION
 1. Rating ?DC 50V 1.0A?
 2. Contact resistance? ≤0.03Ω?
 3. Insulation resistance??100MΩ (DC250V)?
 4. Withstand voltage?500VAC ?
 5. Insertion and extraction force?5-35N;
 6. life test?1,000 cycles?

尚益科技有限公司 JMSCONN TECHNOLOGY CO., LED.				
PROJ		SCALE : F DO NOT SCALE DWG	MOLD NO 30010-10-03	
APP			MODEL	FILE NO
CHK				REV. X1
DGN			UNIT	SHT 1 OF 1
DRW	SHIEH	2008.08.31	MM	SIZE A4

1 2 3 4 5 6 7