

1 2 3 4 5 6 7

A

B

C

D

E

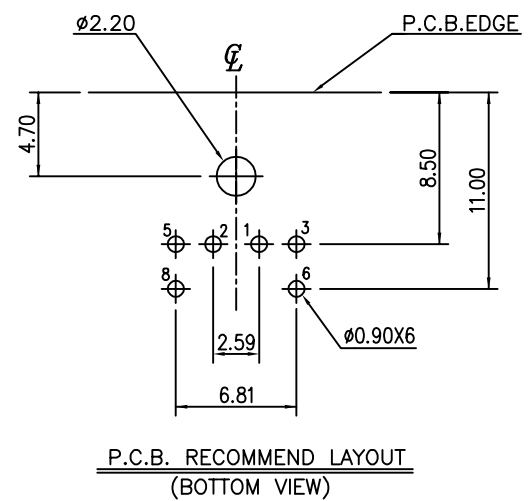
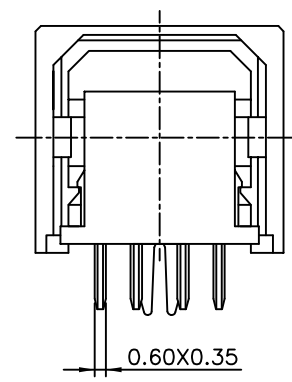
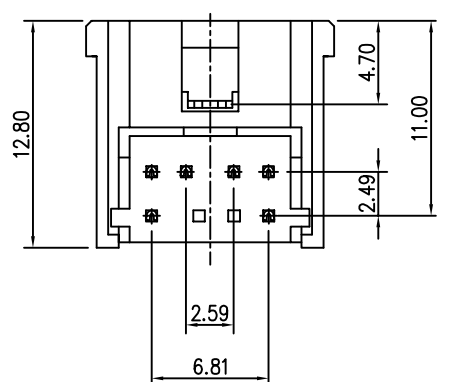
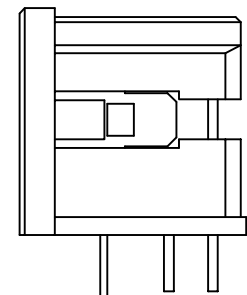
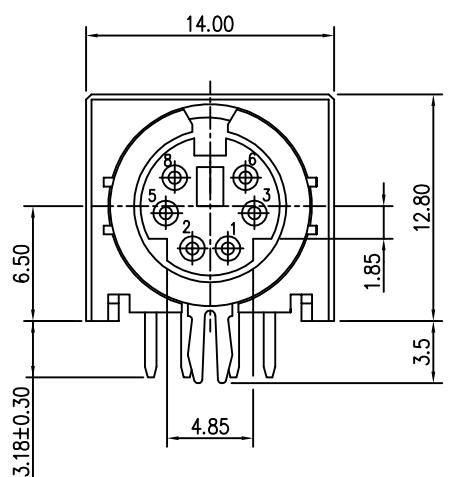
A

B

C

D

E



NOTES:

1. MATERIAL :
 HOUSING : THERMOPLASTIC, GLASS FIBER FILLED
 UL 94V-0 RATED.
 CONTACT : PHOSPHOR BRONZE
 INNER SHIELD : SPCC
2. FINISH :
 CONTACT : UNDER PLATED 50u"MIN. NICKEL, OVER ALL
 120u" MIN. TIN IN SOLDERING AREA,
 SELECTIVE GOLD PLATED IN CONTACT AREA.
 INNER SHIELD : L: BRIGHT TIN , PLATED WITH 120u"THICK.
 OVER 50u" THICKNESS Ni.
 S: TIN , PLATED WITH 120u"THICK.
 OVER 100u" THICKNESS Cu.
 N: NICKEL , PLATED WITH 120u"THICK.
 OVER 100u" THICKNESS Cu.
 G: GOLD FLASH , OVER 100u" THICKNESS Cu.

尚益科技有限公司 JMSSCONN TECHNOLOGY CO., LED.					
PROJ		SCALE : F DO NOT SCALE DWG	MOLD NO 30001-6-03		
APP			MODEL	FILE NO	REV. X1
CHK	CCJ	91.01.16	UNIT MM	SHT 1 OF 1	SIZE A4
DGN	AMY	91.01.16			
DRW	SHIEH	91.01.16			

1 2 3 4 5 6 7