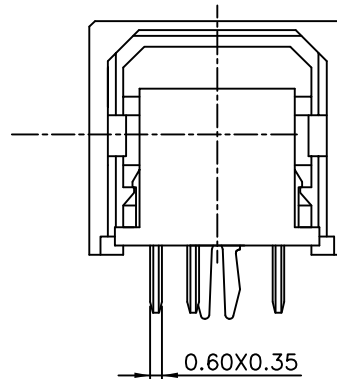
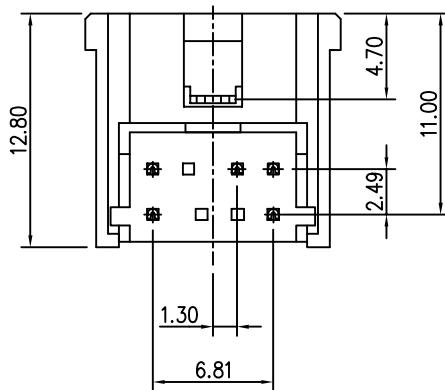


P.C.B. RECOMMEND LAYOUT
(BOTTOM VIEW)



NOTES:

- MATERIAL :
HOUSING : THERMOPLASTIC, GLASS FIBER FILLED
UL 94V-0 RATED.
CONTACT : PHOSPHOR BRONZE
INNER SHIELD : SPCC
- FINISH :
CONTACT : UNDER PLATED 50 μ MIN. NICKEL, OVER ALL
120 μ MIN. TIN IN SOLDERING AREA,
SELECTIVE GOLD PLATED IN CONTACT AREA.
INNER SHIELD : L: BRIGHT TIN, PLATED WITH 120 μ THICK.
OVER 50 μ THICKNESS Ni.
S: TIN, PLATED WITH 120 μ THICK.
OVER 100 μ THICKNESS Cu.
N: NICKEL, PLATED WITH 120 μ THICK.
OVER 100 μ THICKNESS Cu.
G: GOLD FLASH, OVER 100 μ THICKNESS Cu.

尚益科技有限公司
JMSCONN TECHNOLOGY CO., LED.

PROJ		SCALE : F DO NOT SCALE DWG	MOLD NO 30001-5-03		
APP			MODEL	FILE NO	REV. X1
CHK	CCJ	91.01.16			
DGN	AMY	91.01.16	UNIT	SHT 1 OF 1	SIZE A4
DRW	SHIEH	91.01.16	MM		