

1 2 3 4 5 6 7

A

B

C

D

E

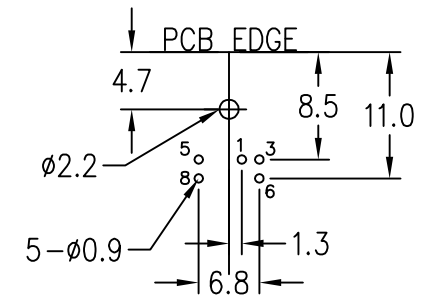
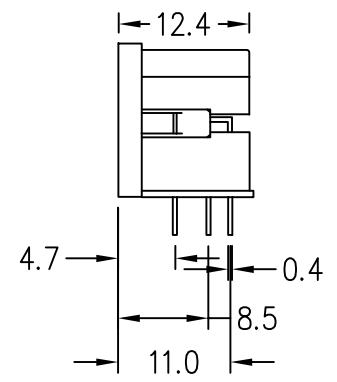
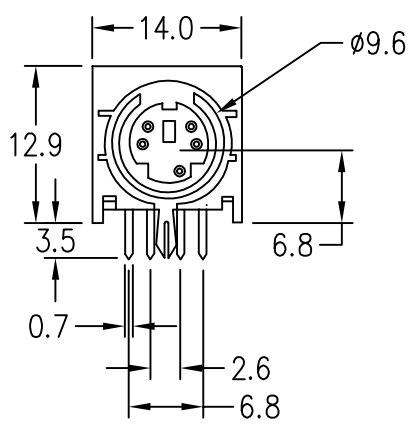
A

B

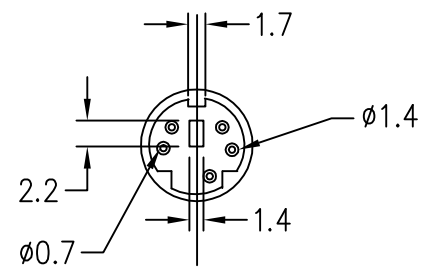
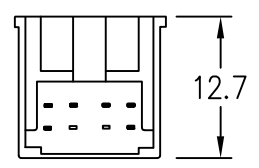
C

D

E



PCB LAYOUT  
(BOTTOM VIEW)



REQUIREMENTS  
 CONTACT RESISTANCE:30m $\Omega$ max.(INITIAL)  
 INSULATION RESISTANCE:100M $\Omega$ min.AT 500V DC.  
 WITHSTANDING VOLTAGE:500V AC FOR ONE MINUTE  
 SOLDERING HEAT TEST:260 $\pm$ 5 $^{\circ}$ C FOR 5 $\pm$ 1 SECONDS  
 INSERTION FORCE:0.5-4.5KG  
 EXTRACTION FORCE:0.4-3.5 KG  
 LIFE TIME:5000 CYCLES min

NO	NAME	MATERIAL	FINISH	REMARK	Q'TY
1	HOUSING	P.B.T	BLACK		1
2	CONTACT	PHOS.BRONZE	GOLD-TIN PLATED	Ni:1~1.5u TIN:Su Gold:1~3u	5
3	GROUND	BRASS	TIN PLATED	TIN:3~5u	1
4	BACK COVER	P.B.T	BLACK		1

尚益科技有限公司 JMISCONN TECHNOLOGY CO., LED.				
PROJ		SCALE : F DO NOT SCALE DWG	MOLD NO 30001-5-02	
APP			MODEL	FILE NO
CHK	CCJ	90.08.31		MINI DIN JACK
DGN	WU	90.08.31	UNIT	REV.
DRW	SHIEH	90.08.31	MM	X1
			SHT 1 OF 1	SIZE
				A4

1 2 3 4 5 6 7