

1 2 3 4 5 6 7

A

B

C

D

E

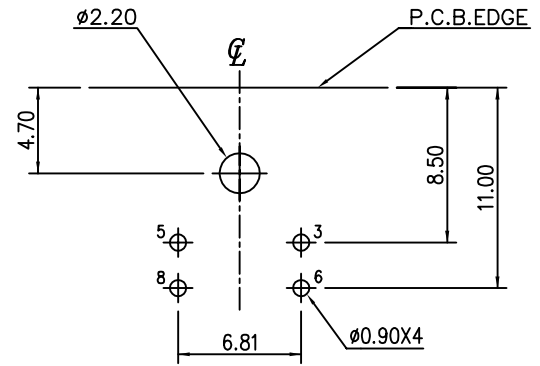
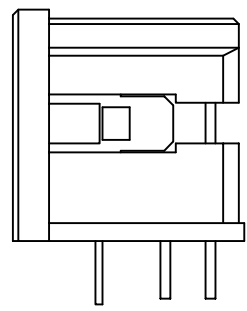
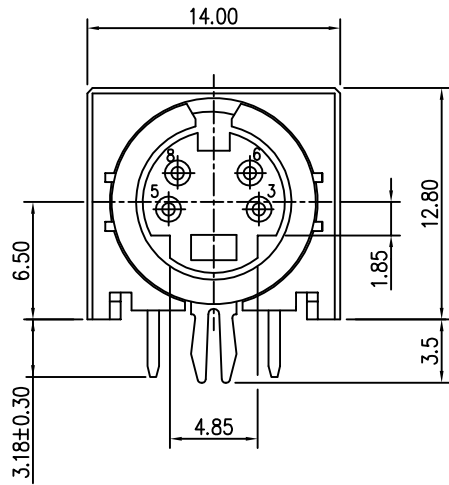
A

B

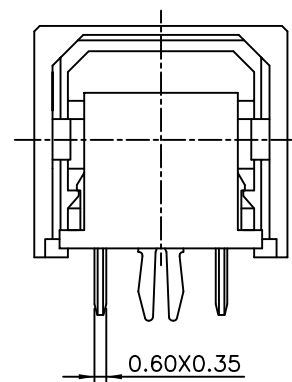
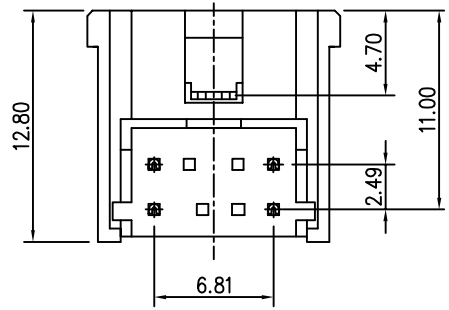
C

D

E



P.C.B. RECOMMEND LAYOUT
(BOTTOM VIEW)



NOTES:

- MATERIAL :
HOUSING : THERMOPLASTIC, GLASS FIBER FILLED
UL 94V-0 RATED.
CONTACT : PHOSPHOR BRONZE
INNER SHIELD : SPCC
- FINISH :
CONTACT : UNDER PLATED 50u"MIN. NICKEL, OVER ALL
120u" MIN. TIN IN SOLDERING AREA,
SELECTIVE GOLD PLATED IN CONTACT AREA.
INNER SHIELD : L: BRIGHT TIN , PLATED WITH 120u"THICK.
OVER 50u" THICKNESS Ni.
S: TIN , PLATED WITH 120u"THICK.
OVER 100u" THICKNESS Cu.
N: NICKEL , PLATED WITH 120u"THICK.
OVER 100u" THICKNESS Cu.
G: GOLD FLASH , OVER 100u" THICKNESS Cu.

尚益科技有限公司
JMSCONN TECHNOLOGY CO., LED.

PROJ		SCALE : F DO NOT SCALE DWG	MOLD NO 30001-4-03		
APP			MODEL	FILE NO	REV. X1
CHK	CCJ	91.01.16	UNIT MM	SHT 1 OF 1	SIZE A4
DGN	AMY	91.01.16			
DRW	SHIEH	91.01.16			

1 2 3 4 5 6 7