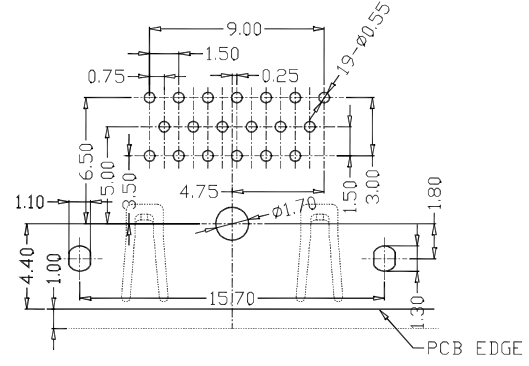
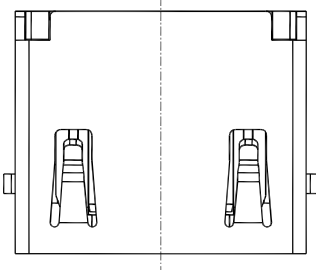


1 2 3 4 5 6 7

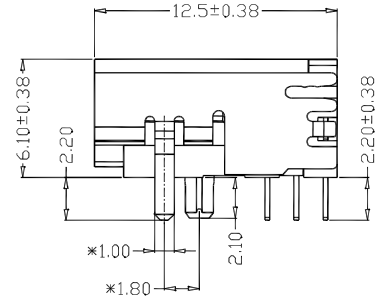
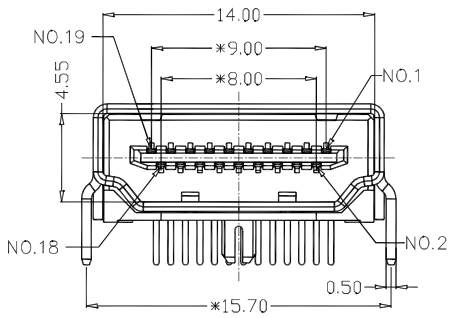
A



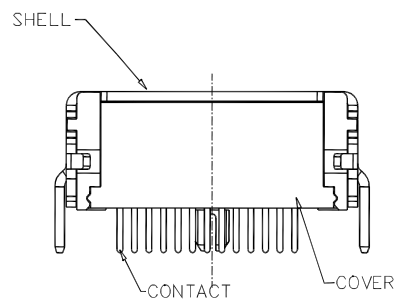
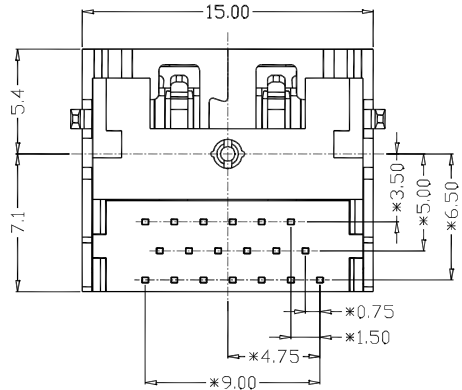
RECOMMENDED PCB LAYOUT (TOP VIEW)
TOLERANCE FOR PCB LAYOUT IS ± 0.05

B

C



D



E

Part No.	Contact
70108-T1B0	15u" Au
70108-T1B1	1u" Au
70108-T1B2	〈無齒〉 1u" Au
70108-T1B3	3u" Au

NOTE:

1. MATERIAL:
 - 1.1 Insulator: LCP+30%Glass Fiber(UL94V-0) BLACK
 - 1.2 Shell And Contact: Brass
 - 1.3 Contact Plating: 15u"MIN. GOLD PLATING ON CONTACT POINT. 100u"MIN. TIN PLATING ON SOLDER TAILS. 50u"MIN. NICKEL UNDERPLATING OVERALL.
 - 1.4 Shell: 80u"Nickel plated over all
 2. SPECIFICATION:
 - 2.1 Current Rate: 0.5Amp
 - 2.2 insulator Resistance: 100MΩ Min
 - 2.3 Dielectric Strength: 500V AC Per minute
 - 2.4 Contact Resistance: 30mΩ Max
 - 2.5 Operation Temperature: -55°C~+105°C
- "*"標示是重點管控尺寸

尚益科技有限公司
JMSCONN TECHNOLOGY CO., LTD.

PROJ		SCALE : F DO NOT SCALE DWG	MOLD NO	70108-T	
APP			MODEL	FILE NO	REV. X1
CHK			UNIT	SHT 1 OF 1	SIZE A4
DGN			MM		
DRW	HSIEH	2012.05.20			

1 2 3 4 5 6 7