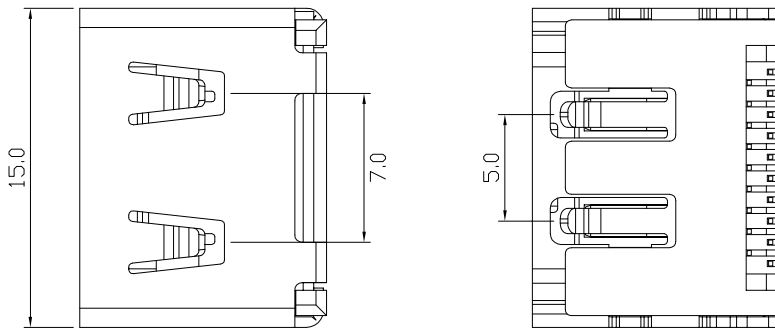


COMPONENT SIDE  
(PCB LAYOUT)



TOP VIEW

NO.	NAME	MATERIAL	FINISH	Q'TY	REMARK
1	SHELL	BRASS T:0.50	NICKEL PLATED	1	Ni:80~120u"
2	BODY	LCP+GF30%	GRAY	1	
3	TERMINAL	PHOS. BRONZE T:0.20	GOLD/TIN PLATED	19	Gold:15u"; Ni:40~60u" Ti:120~200u"

Specification:

- ❖ Contact Resistance: Unmated Plug Socket, 30m Ohm. Maximum.  
*Mated Plug Socket, 60m Ohm. Maximum.*
- ❖ Insulation Resistance: 100M Ohm Min. At 500 VDC.
- ❖ Rated Voltage And Current: AC 40V,0.5A Minimum.
- ❖ Dielectric Withstanding Voltage: 500V AC (rms) For 1 Minute.
- ❖ Insertion Force: Type A- 44.1N Maximum.
- ❖ Extraction Force: Type A- 9.8N Minimum,39.2N Maximum.
- ❖ Durability: Type A- 10000 Cycles At 100±50 Cycles Per Hour.  
Life Test After: Type A-Insertion/Extraction Force: 6N Minimum.
- ❖ Operating Temperature: -20°C ~ +85°C.



尚益科技有限公司 JMSCONN TECHNOLOGY CO., LTD.					
PROJ		SCALE : F DO NOT SCALE DWG	MOLD NO	70106	
APP			MODEL	FILE NO	REV. X1
CHK					
DGN			UNIT	SHT 1 OF 1	SIZE A4
DRW	HSIEH	2012.05.20	MM		