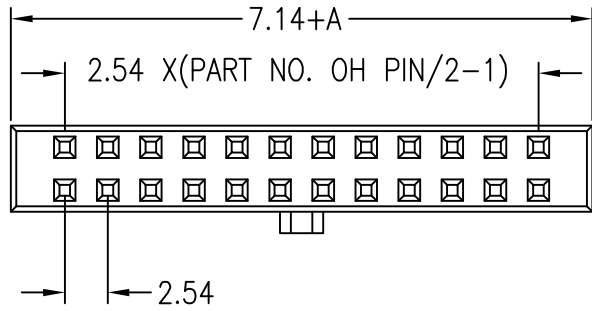
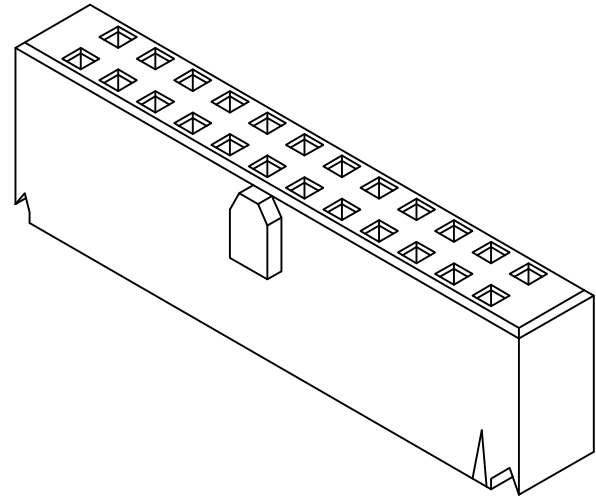


1 2 3 4 5 6 7

A



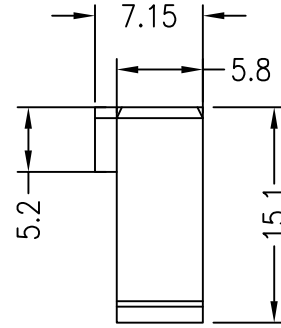
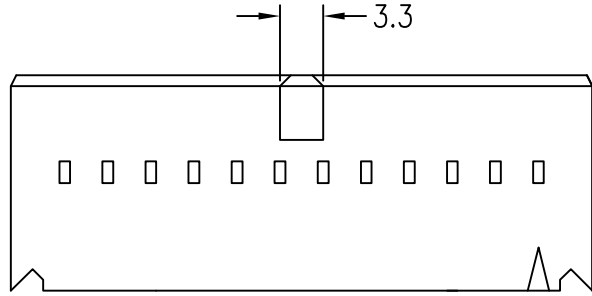
B



A

B

C



C

D

ORDER INFORMATION
12104-XX
└ 2~80Pin

D

E

尚益科技有限公司 JMSCONN TECHNOLOGY CO., LED.				
PROJ		SCALE : F DO NOT SCALE DWG	MOLD NO 12104	
APP			MODEL P:2.54mm	FILE NO Housing
CHK			UNIT MM	SHT 1 OF 1
DGN				
DRW	SHIEH	2008.03.07		REV. X1 SIZE A4

E

1 2 3 4 5 6 7