

1 2 3 4 5 6 7

A

A

B

B

C

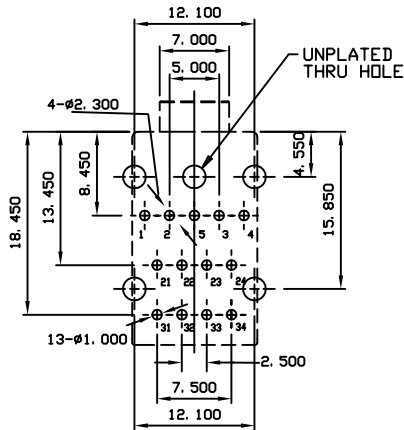
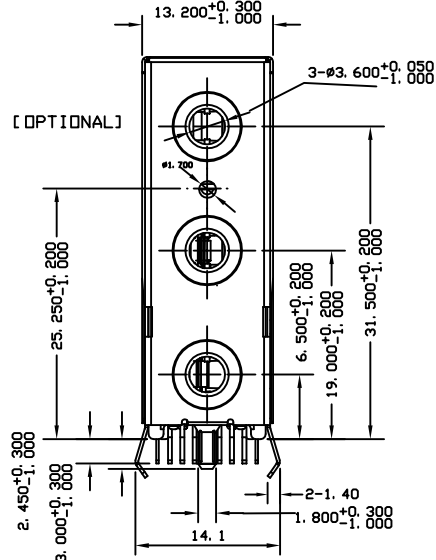
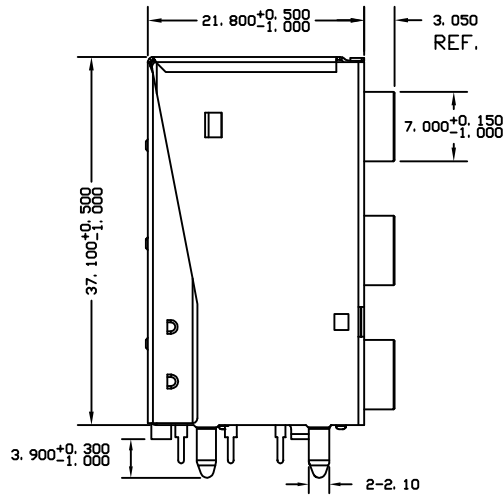
C

D

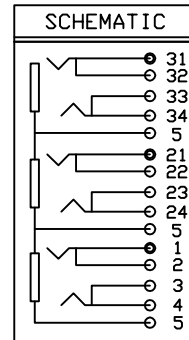
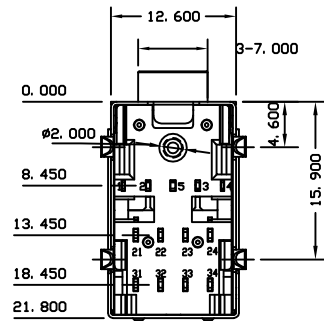
D

E

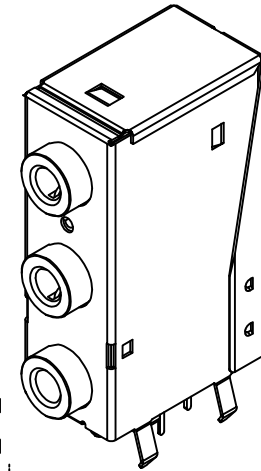
E



Recommended PCB Layout
<Component Side>
NOTE : ±0.2 FOR PCB LAYOUT



NOTE :
TOP JACK - LINE IN :
LIGHT BLUE COLOR [284C]
CENTER JACK - LINK OUT :
LIME COLOR [577C]
BOTTOM JACK - MICROPHONE :
PINK COLOR [701C]



21	39003	R-CONTACT	PBS	TIN/GOLD	1	
20	39003	R-SHUNT	BRASS	TIN	1	
19	39003	T-SHUNT	BRASS	TIN	1	
18	39003	T-CONTACT	PBS	TIN/GOLD	1	
17	39003	SOLDERING LEAD	BRASS	TIN	1	
16	39003	LEAD/SHUNT	BRASS	TIN	1	
15	39003	LEAD/SHUNT	BRASS	TIN	1	
14	39003	SOLDERING LEAD	BRASS	TIN	1	
13	39003	R-CONTACT	PBS	TIN/GOLD	2	
12	39003	T-CONTACT	PBS	TIN/GOLD	2	
11	39003	LEAD/SHUNT	BRASS	TIN	1	
10	39003	LEAD/SHUNT	BRASS	TIN	1	
9	39003	LEAD/SHUNT	BRASS	TIN	1	
8	39003	LEAD/SHUNT	BRASS	TIN	1	
7	39003	GROUND	BRASS	TIN/GOLD	1	
6	39003	SHIELD [FRONT]	BRASS	TIN	1	
5	39003	SHIELD [BACK]	BRASS	NI	1	
4	39003	HOUSING-1	PBT		1	
3	39003	HOUSING-2	PBT		1	
2	39003	HOUSING-3	PBT		1	
1	39003	COVER	PBT		1	
ITEM	PART NO.	NAME	MATERIAL	FINISH	Q'TY	NOTE

尚益科技有限公司
JMSSCONN TECHNOLOGY CO., LED.

PROJ		SCALE : F DO NOT SCALE DWG	MOLD NO 39003
APP		MODEL	FILE NO
CHK	CCJ	90.10.02	3.5
DGN	AMY	90.10.02	PHONE JACK
DRW	SHIEH	90.10.02	UNIT MM
			SHT 1 OF 1
			REV. X1
			SIZE A4

1 2 3 4 5 6 7