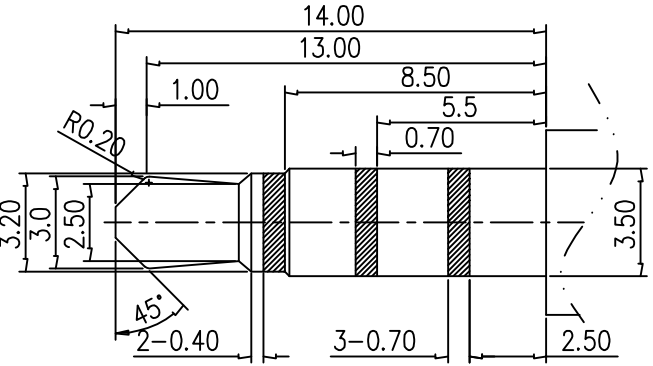
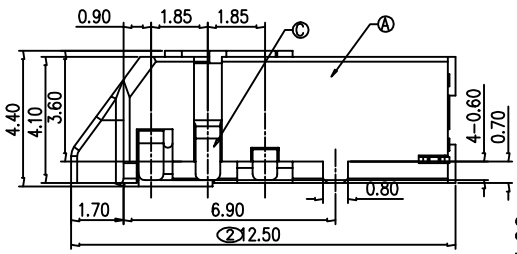
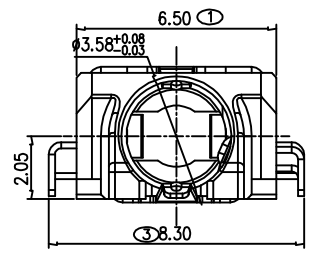


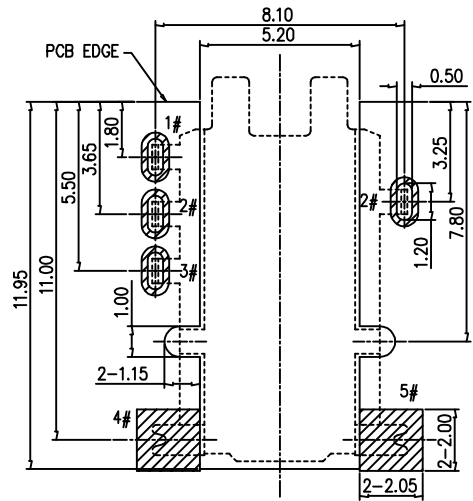
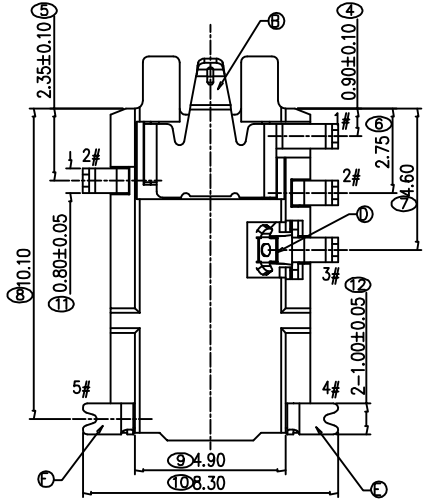
1 2 3 4 5 6 7

A



3.5Ø 4POLE PLUG (TOLERANCE: ±0.05)

B



RECOMMEND PCB LAYOUT (TOP VIEW)
TOLERANCE: ±0.05

SPECIFICATIONS:

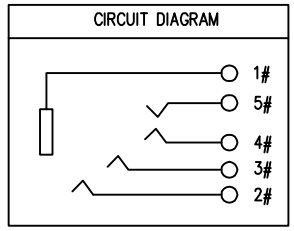
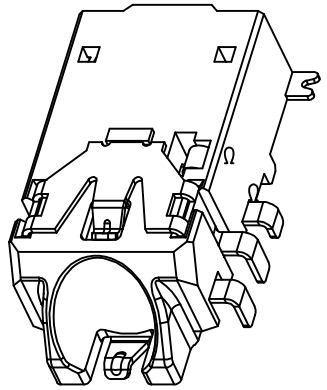
- ELECTRICAL CHARACTERISTICS:
 - 1-1. RATING: DC30V 0.5A
 - 1-2. CONTACT RESISTANCE: 30m MAX.(INITIAL)
 - 1-3. DIELECTRIC WITHSTANDING VOLTAGE: 500V AC FOR ONE MINUTE
 - 1-4. INSULATION RESISTANCE: 100M MIN. MEASURED BY 500V DC
- MECHANICAL CHARACTERISTICS:
 - 2-1. INSERTION FORCE : 0.3~3.0 KGF
 - 2-2. WITHDRAWAL FORCE : 0.3~3.0 KGF
- LIFE TEST: 5,000 CYCLES MIN.
- FOR REFLOW SOLDERING LEAD-FREE PROCESS.

C

F	TERMINAL 5#	1	COPPER ALLOY	G/F
E	TERMINAL 4#	1	COPPER ALLOY	G/F
D	TERMINAL 3#	1	COPPER ALLOY	G/F
C	TERMINAL 2#	1	COPPER ALLOY	G/F
B	TERMINAL 1#	1	COPPER ALLOY	G/F
A	HOUSING	1	THRMOPLASTIC	BLACK
NO.	DESCRIPTION	QTY	MATERIAL	PLATING & COLOR

DIMENSIONS
TOLERANCE
METRIC
.0= ±.38
.00= ±.25
.000= ±.15
.0000= ±.
ANG.= ± 2°

D



E

尚益科技有限公司
JMSCONN TECHNOLOGY CO., LTD.

PROJ	SCALE : F DO NOT SCALE DWG	MOLD NO 38732-T
APP		MODEL
CHK		FILE NO
DGN		REV. X1
DRW	HSIEH 2013.09.22	UNIT MM
		SHT 1 OF 1
		SIZE A4

1 2 3 4 5 6 7