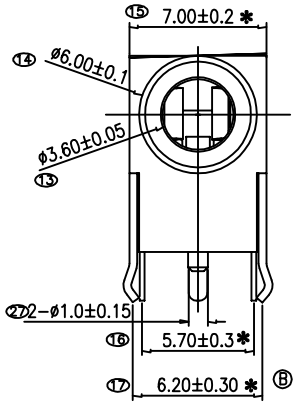
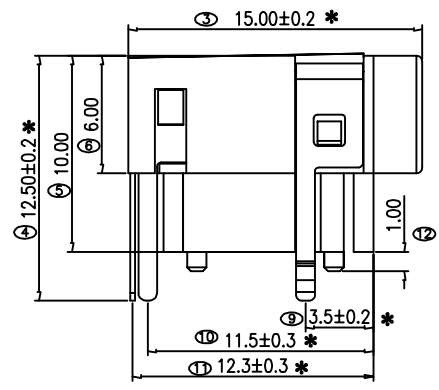
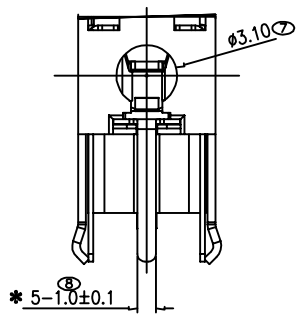
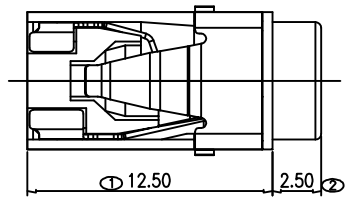
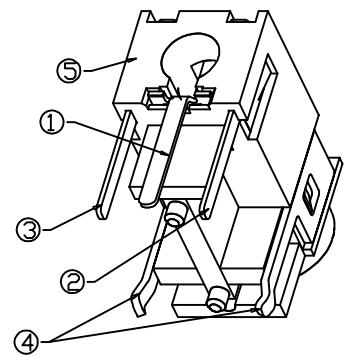
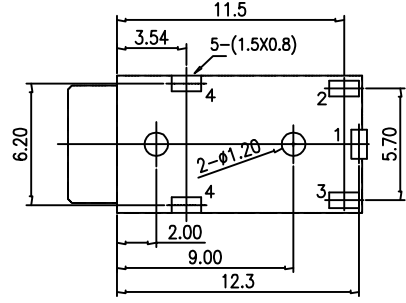


1 2 3 4 5 6 7

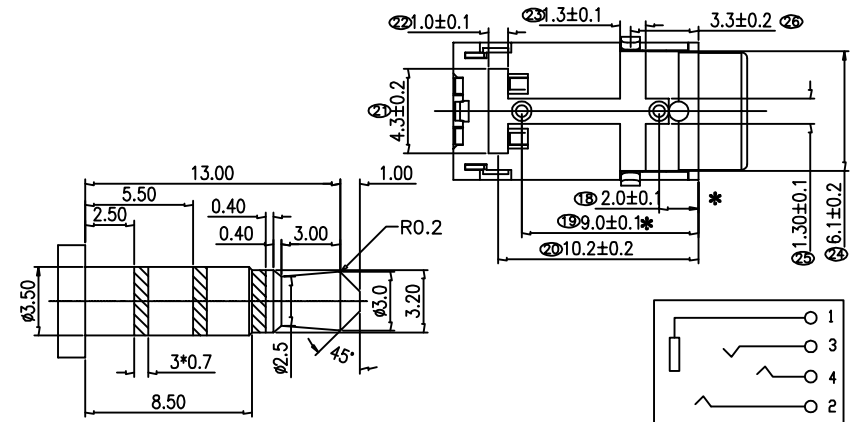
A
B
C
D
E



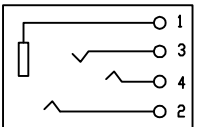
SPECIFICATIONS:
 1. ELECTRICAL CHARACTERISTICS:
 1-1. RATING: DC30V 0.5A
 1-2. CONTACT RESISTANCE: 30mΩ MAX.(INITIAL)
 1-3. DIELECTRIC WITHSTANDING VOLTAGE: 500V AC FOR ONE MINUTE
 1-4. INSULATION RESISTANCE: 100MΩ MIN. MEASURED BY 500V DC
 2. MECHANICAL CHARACTERISTICS:
 2-1. INSERTION FORCE : 0.3~3.0 KGF
 2-2. WITHDRAWAL FORCE : 0.3~3.0 KGF
 3. LIFE TEST: 5,000 CYCLES MIN.
 4. FOR REFLOW SOLDERING LEAD-FREE PROCESS.
 5. *REPRESENT CRITICAL DIMENSIONS.



PCB LAYOUT TOP VIEW



MATE PLUG



CIRCUIT DIAGRAM

⑤	38730-T-1Z2	1	PBT(BLACK)	
④	38730-T-4Q3	1	C2680r t=0.40	Ag
③	38730-T-3Q1	1	C5210R EH t=0.25	Ag
②	38730-T-2Q1	1	C5210R EH t=0.25	Ag
①	38730-T-1Q1	1	C5210R EH t=0.25	Ag
NO.	DESCRIPTION	QTY	MATERIAL	PLATING & COLOR

尚益科技有限公司
 JMCONN TECHNOLOGY CO., LTD.

PROJ	SCALE : F DO NOT SCALE DWG	MOLD NO	38730	
APP		MODEL	FILE NO	REV. X1
CHK				
DGN		UNIT	SHT 1 OF 1	SIZE A4
DRW	HSIEH	2013.09.22	MM	

1 2 3 4 5 6 7